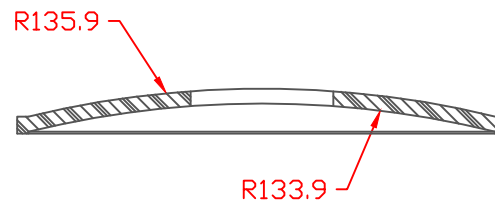
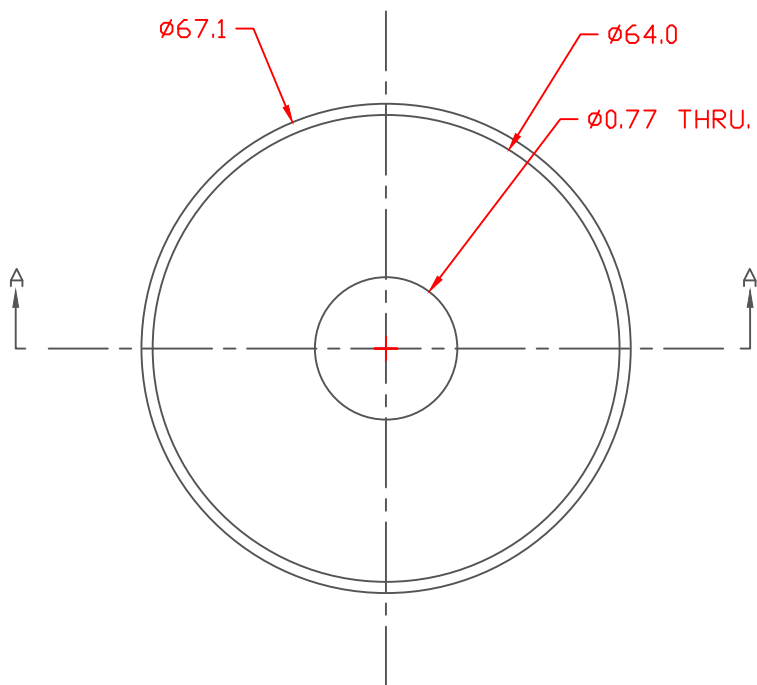


PROPRIETARY RIGHTS ARE CLAIMED FOR THE MATERIAL DISCLOSED IN THIS DRAWING.

LTR.	REVISIONS	DATE
≡	*****	00-00-98




TOLERANCE UNLESS OTHERWISE SPECIFIED:  $\pm 0.30'$  /  $\pm 0.8\text{mm}$   
 RADIAL DIAMETERS TO BE MEASURED OVER MANDRELS,  
 RING GAGES OR PIN GAGES OF SUITABLE SIZE

Material:  
 Material Part No:  
 Max. Operating Temp:  
 Durometer:  
 Specific Gravity:  
 Ult. Elongation %:  
 Modulus PSI:  
 Tensile Strength PSI:  
 Dielectric Strength, v./ml  
 MEETS:

Polypropylene  
 7209750302  
 550 F  
 110 R-Scale  
 1.13  
 2.5  
 \*\*\*\*\*  
 9500  
 \*\*\*\*\*  
 UL94HB



		<b>VTE Incorporated</b> 5437 Robinson Road, P.O. Box 790 Pellston, Michigan 49769 Telephone: 1-800-527-9256, 231-539-8000 FAX: 231-539-0914	
		REF:	DATE: 17SEP10
TITLE: DISK, PROTECTIVE			
MATERIAL:		PART NO. 479C8P02	
COLOR:	DRG CLASS		