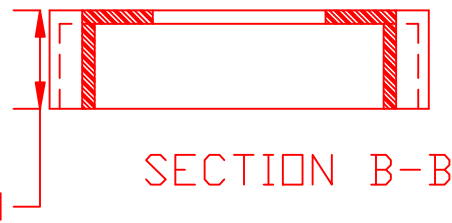
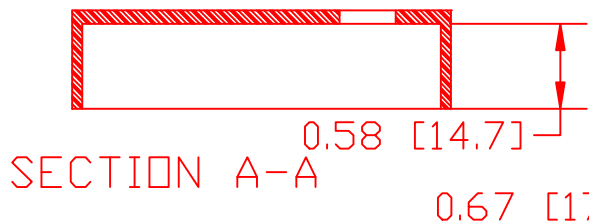
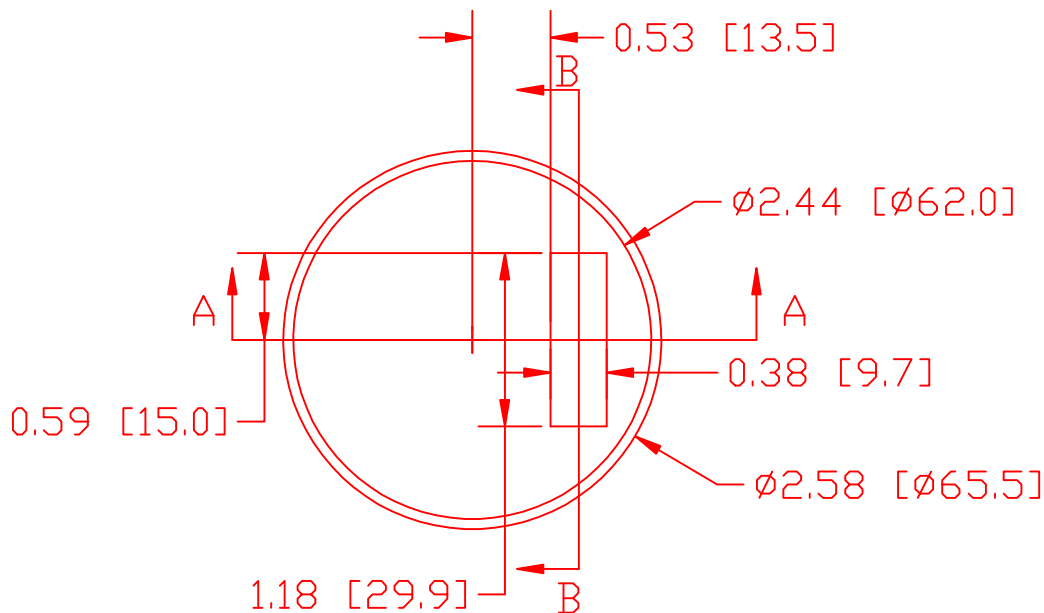


THE INFORMATION CONTAINED IN THIS DRAWING IS THE SOLE PROPERTY OF VTE INCORPORATED. ANY REPRODUCTION IN PART OR WHOLE WITHOUT THE WRITTEN PERMISSION OF VTE INCORPORATED IS PROHIBITED.

LTR.	REVISIONS	DATE
✖	*****	00-00-98

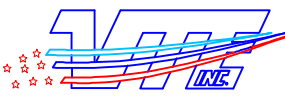
METRIC DIMENSIONS
IN []



TOLERANCE UNLESS OTHERWISE SPECIFIED: $\pm 0.30 / \pm 0.8 \text{mm}$
RADIAL DIAMETERS TO BE MEASURED OVER MANDRELS,
RING GAGES OR PIN GAGES OF SUITABLE SIZE

MATERIAL: RED PVC
(U.L. 94 Rated Material Available)
DIELECTRIC STRENGTH: 540 V/MIL MINIMUM



		VTE Incorporated 5437 Robinson Road, P.O. Box 790 Pellston, Michigan 49769 Telephone: 1-800-527-9256, 231-539-8000 FAX: 231-539-0914	
		REF: *****	DATE: 04-APR-02
TITLE: BATTERY TERMINAL INSULATOR			SCALE: NOTED
MATERIAL: NOTED		PART NO. 481B9V02	
COLOR: NOTED	DRG CLASS *****		