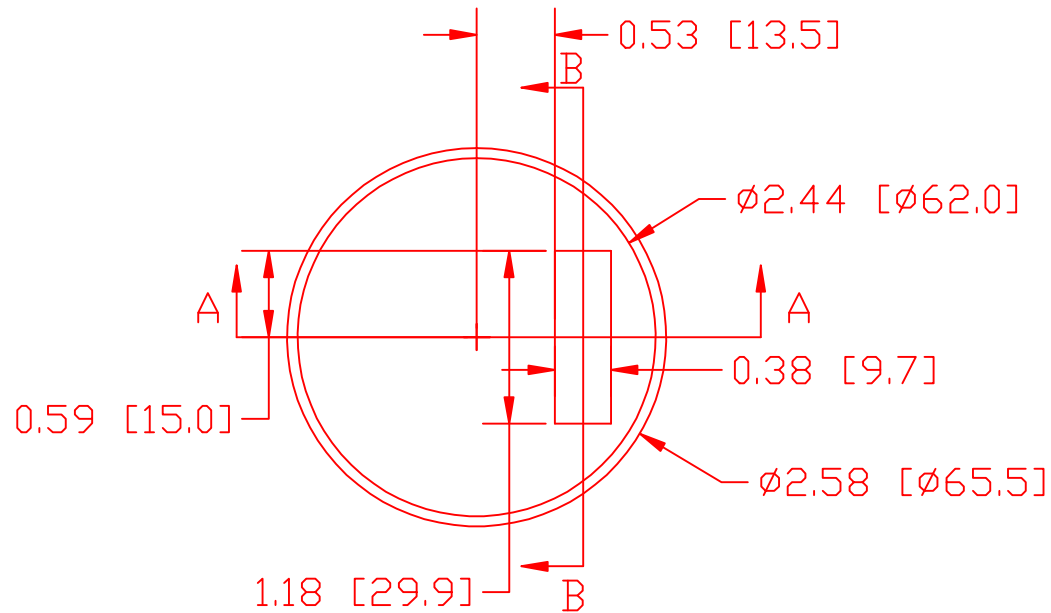
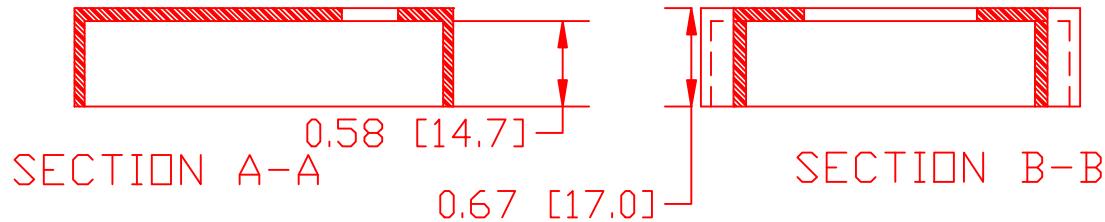


THE INFORMATION CONTAINED IN THIS DRAWING IS THE SOLE PROPERTY OF VTE INCORPORATED. ANY REPRODUCTION IN PART OR WHOLE WITHOUT THE WRITTEN PERMISSION OF VTE INCORPORATED IS PROHIBITED.

LTR.	REVISIONS	DATE
≠	*****	00-00-98



METRIC DIMENSIONS
IN []



TOLERANCE UNLESS OTHERWISE SPECIFIED: ±.030"/±0.8mm
RADIAL DIAMETERS TO BE MEASURED OVER MANDRELS,
RING GAGES OR PIN GAGES OF SUITABLE SIZE

MATERIAL: BLACK PVC
(U.L. 94 Rated Material Available)
DIELECTRIC STRENGTH: 540 V/MIL MINIMUM

	VTE Incorporated 5437 Robinson Road, P.O. Box 790 Pellston, Michigan 49769 Telephone: 1-800-527-9256, 231-539-8000 FAX: 231-539-0914	
	REF: ***** DATE: 04-APR-02 TITLE: BATTERY TERMINAL INSULATOR MATERIAL: NOTED COLOR: NOTED	DRN BY: BRH CHK'D BY: BRH DRG CLASS *****

