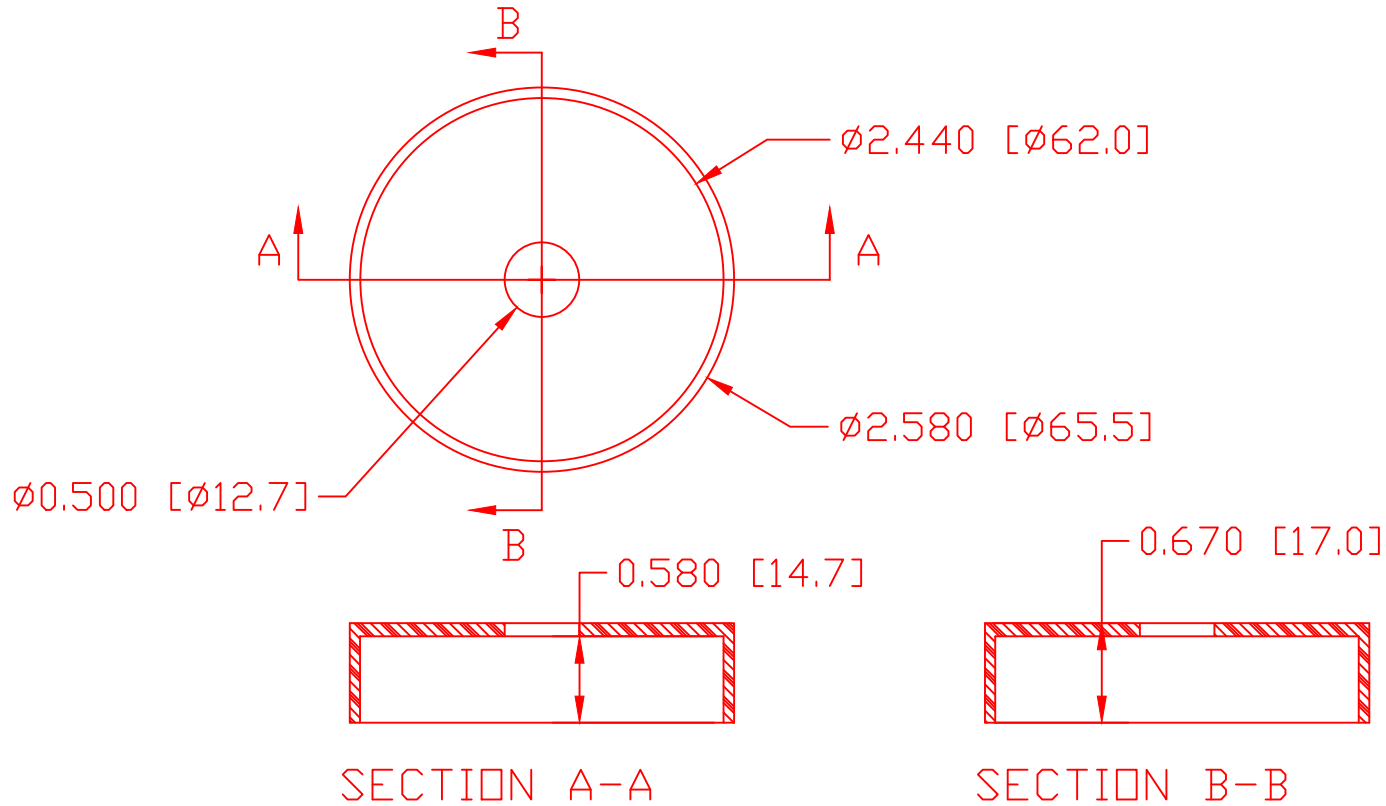
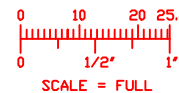


THE INFORMATION CONTAINED IN THIS DRAWING IS THE SOLE PROPERTY OF VTE INCORPORATED. ANY REPRODUCTION IN PART OR WHOLE WITHOUT THE WRITTEN PERMISSION OF VTE INCORPORATED IS PROHIBITED.


LTR.	REVISIONS	DATE
≠	*****	00-00-98



VTE Material Part No: 1101700114  
 Material: BLACK PVC  
 Material Part No: M1170-FR or Equivalent  
 Max. Operating Temp: 105 C  
 Shore Durometer: "A" 15 SEC. 70+/-5  
 Specific Gravity: 1.34  
 Ult. Elongation %: 275 Minimum  
 Tensile Strength PSI: 1600 PSI Minimum  
 U.L. Rating: 94 V0



TOLERANCE UNLESS OTHERWISE SPECIFIED:  $\pm 0.30$ "/ $\pm 0.8$ mm  
 RADIAL DIAMETERS TO BE MEASURED OVER MANDRELS,  
 RING GAGES OR PIN GAGES OF SUITABLE SIZE

		<b>VTE Incorporated</b> 5437 Robinson Road, P.O. Box 790 Pellston, Michigan 49769 Telephone: 1-800-527-9256, 231-539-8000 FAX: 231-539-0914	
		REF: *****	DATE: 04-APR-02
TITLE: BATTERY TERMINAL INSULATOR			SCALE: NOTED
MATERIAL: NOTED		PART NO. 481N2F14	
COLOR: NOTED	DRG CLASS *****		