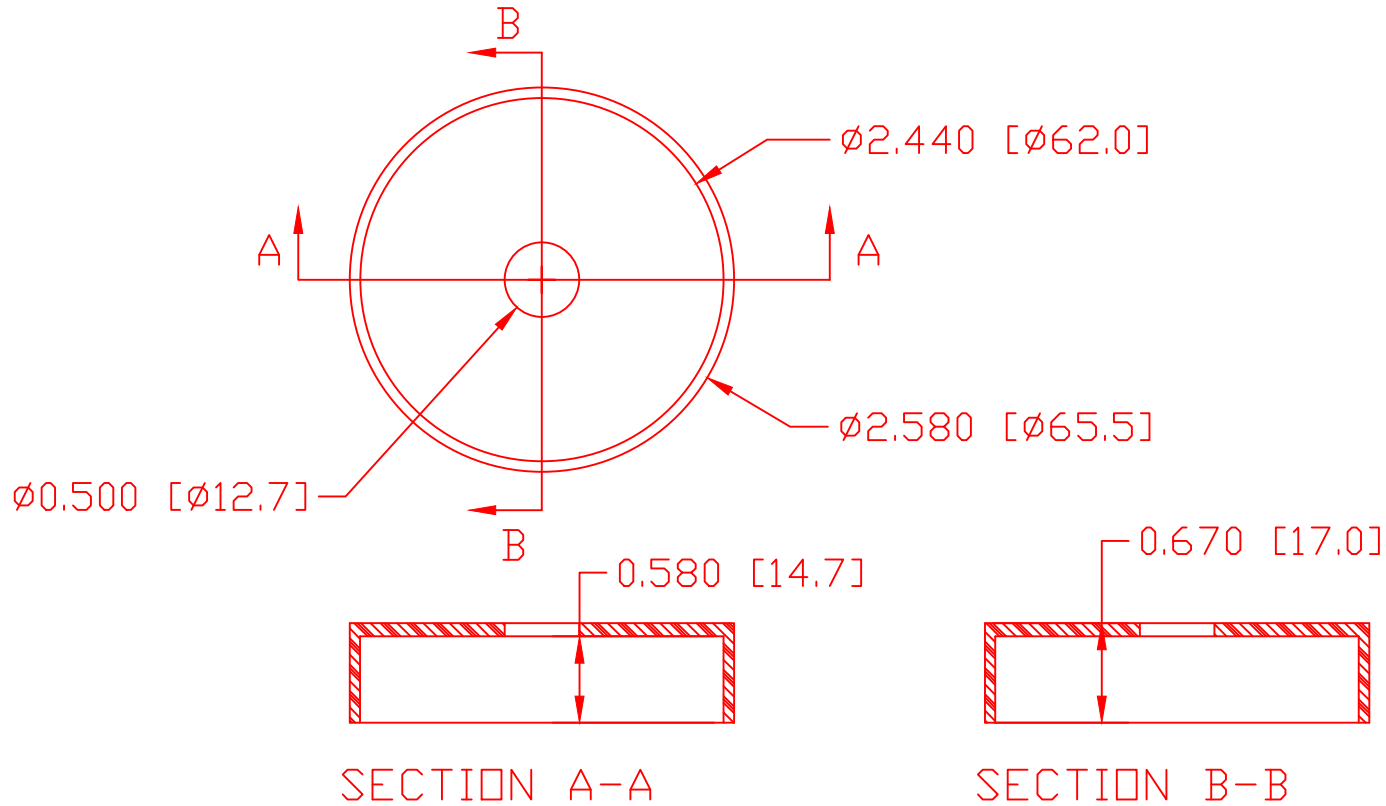


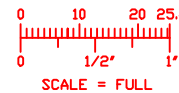
THE INFORMATION CONTAINED IN THIS DRAWING IS THE SOLE PROPERTY OF VTE INCORPORATED. ANY REPRODUCTION IN PART OR WHOLE WITHOUT THE WRITTEN PERMISSION OF VTE INCORPORATED IS PROHIBITED.


LTR.	REVISIONS	DATE
≠	*****	00-00-98



VTE Material Part No: 1101650109
 Material: BLUE PVC
 Material Part No: 05-916R
 Max. Operating Temp: 105 C
 Shore Durometer "A": 65
 Specific Gravity: 1.27
 Ult. Elongation %: 325
 Brittle Temp: ****
 Tensile Strength PSI: 1500 PSI
 Dielectric Strength, v./ml: ****
 U.L. Rating: ****
 MEETS: ****

TOLERANCE UNLESS OTHERWISE SPECIFIED: ± 0.30 / ± 0.8 mm
 RADIAL DIAMETERS TO BE MEASURED OVER MANDRELS,
 RING GAGES OR PIN GAGES OF SUITABLE SIZE



		VTE Incorporated 5437 Robinson Road, P.O. Box 790 Pellston, Michigan 49769 Telephone: 1-800-527-9256, 231-539-8000 FAX: 231-539-0914	
		REF: ****	DATE: 04-APR-02
TITLE: BATTERY TERMINAL INSULATOR			SCALE: NOTED
MATERIAL: NOTED		PART NO. 481N2V09	
COLOR: NOTED	DRG CLASS: ****		