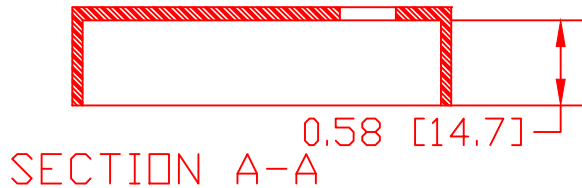
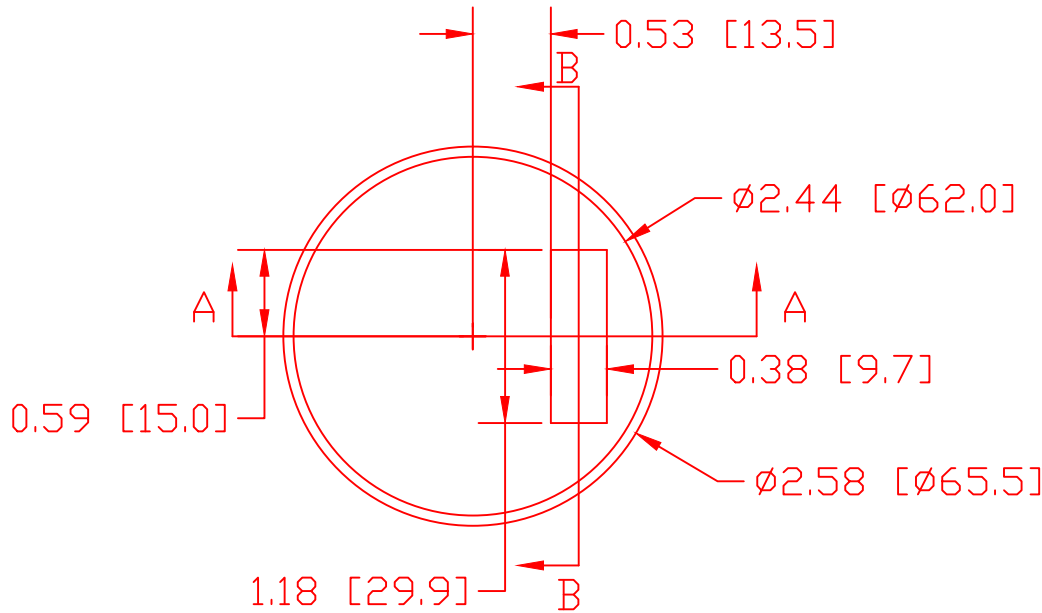


THE INFORMATION CONTAINED IN THIS DRAWING IS THE SOLE PROPERTY OF VTE INCORPORATED. ANY REPRODUCTION IN PART OR WHOLE WITHOUT THE WRITTEN PERMISSION OF VTE INCORPORATED IS PROHIBITED.

LTR.	REVISIONS	DATE
≠	*****	00-00-98

METRIC DIMENSIONS
IN []



TOLERANCE UNLESS OTHERWISE SPECIFIED: ±0.30*/±0.8mm
RADIAL DIAMETERS TO BE MEASURED OVER MANDRELS,
RING GAGES OR PIN GAGES OF SUITABLE SIZE

VTE Material Part No: 1101700102
 Material: RED PVC
 Material Part No: M1170 FR RD or Equivalent
 Max. Operating Temp: 105 C
 Shore Durometer: "A" 15 SEC. 70+/-5
 Specific Gravity: 1.34
 Ult. Elongation %: 275 Minimum
 Tensile Strength PSI: 1600 PSI Minimum
 U.L. Rating: 94 V0



VTE Incorporated
 5437 Robinson Road, P.O. Box 790
 Pellston, Michigan 49769
 Telephone: 1-800-527-9256, 231-539-8000
 FAX: 231-539-0914

REF: *****	DATE: 04-APR-02	DRN BY: BRH	WEIGHT: 033 LBS. / 14.9 G.
TITLE: BATTERY TERMINAL INSULATOR			SCALE: NOTED
MATERIAL: NOTED		PART NO. 481N9F02	
COLOR: NOTED	DRG CLASS *****		