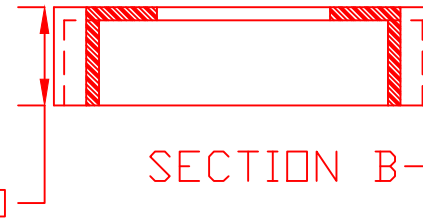
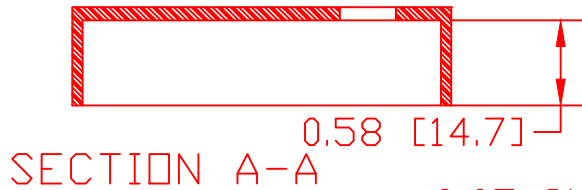
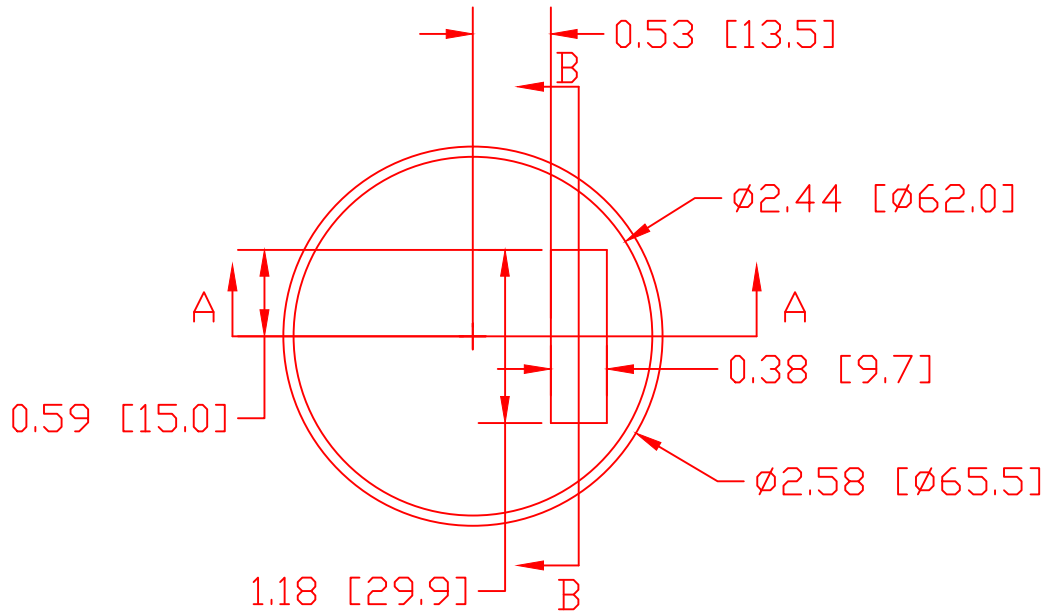


THE INFORMATION CONTAINED IN THIS DRAWING IS THE SOLE PROPERTY OF VTE INCORPORATED. ANY REPRODUCTION IN PART OR WHOLE WITHOUT THE WRITTEN PERMISSION OF VTE INCORPORATED IS PROHIBITED.

LTR.	REVISIONS	DATE
≠	*****	00-00-98

METRIC DIMENSIONS  
IN [ ]



TOLERANCE UNLESS OTHERWISE SPECIFIED:  $\pm 0.30^\circ / \pm 0.8\text{mm}$   
 RADIAL DIAMETERS TO BE MEASURED OVER MANDRELS,  
 RING GAGES OR PIN GAGES OF SUITABLE SIZE

VTE Material Part No:  
 MATERIAL:

1101650102  
 RED PVC

VTE Incorporated  
 5437 Robinson Road, P.O. Box 790  
 Pellston, Michigan 49769  
 Telephone: 1-800-527-9256, 231-539-8000  
 FAX: 231-539-0914

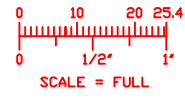
REF: *****	DATE: 04-APR-02	DRN BY: BRH	WEIGHT: 033 LBS. / 14.9 G.
CHK'D BY: BRH			SCALE: NOTED

TITLE: BATTERY TERMINAL INSULATOR

MATERIAL: NOTED

COLOR: NOTED

PART NO.  
 481N9V02



DRG CLASS \*\*\*\*\*