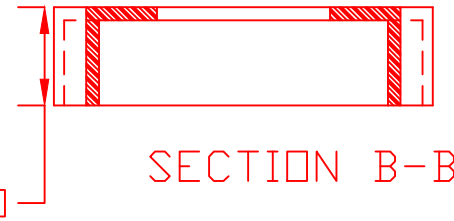
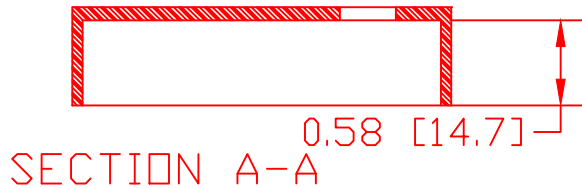
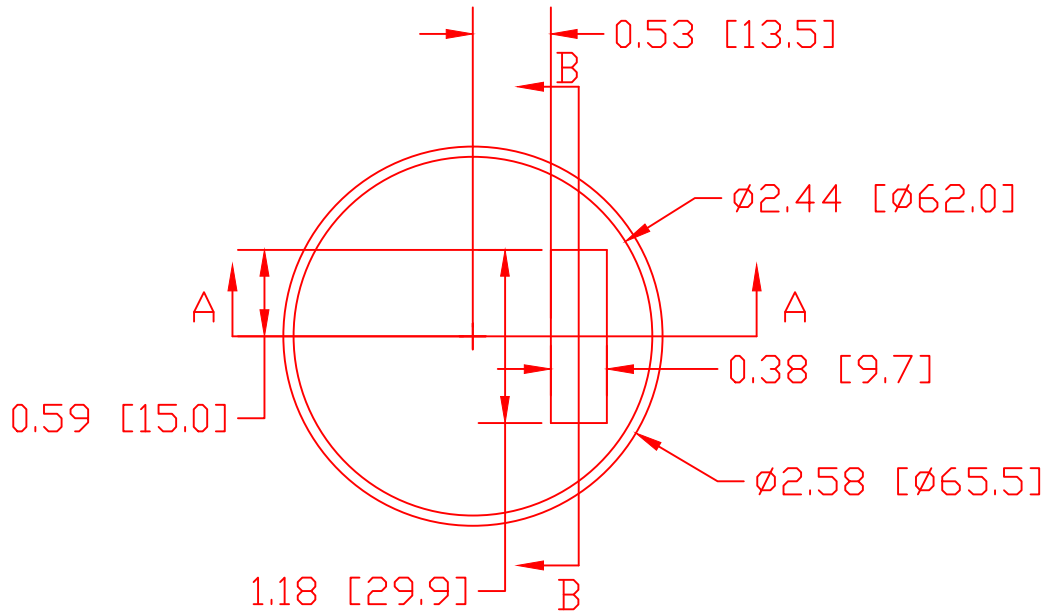


THE INFORMATION CONTAINED IN THIS DRAWING IS THE SOLE PROPERTY OF VTE INCORPORATED. ANY REPRODUCTION IN PART OR WHOLE WITHOUT THE WRITTEN PERMISSION OF VTE INCORPORATED IS PROHIBITED.

LTR.	REVISIONS	DATE
≡	*****	00-00-98


METRIC DIMENSIONS  
IN [ ]



TOLERANCE UNLESS OTHERWISE SPECIFIED: ±0.30\*/±0.8mm  
RADIAL DIAMETERS TO BE MEASURED OVER MANDRELS,  
RING GAGES OR PIN GAGES OF SUITABLE SIZE

Material:	GRAY PVC
Material Part No	05-916B
Max. Operating Temp:	*****
Shore Durometer	"A" 65
Specific Gravity:	1.35
Ult. Elongation %:	325
Modulus PSI:	450
Tensile Strength PSI:	1500 PSI
Dielectric Strength, v./ml	*****
MEETS:	*****



		<b>VTE Incorporated</b> 5437 Robinson Road, P.O. Box 790 Pellston, Michigan 49769 Telephone: 1-800-527-9256, 231-539-8000 FAX: 231-539-0914	
		REF: *****	DATE: 04-APR-02
TITLE: BATTERY TERMINAL INSULATOR			SCALE: NOTED
MATERIAL: NOTED		PART NO. 481N9V13	
COLOR: NOTED	DRG CLASS *****		