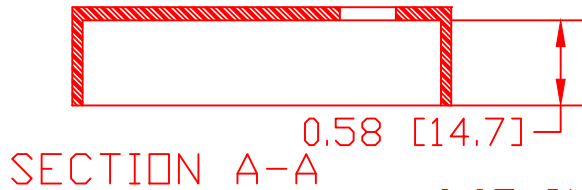
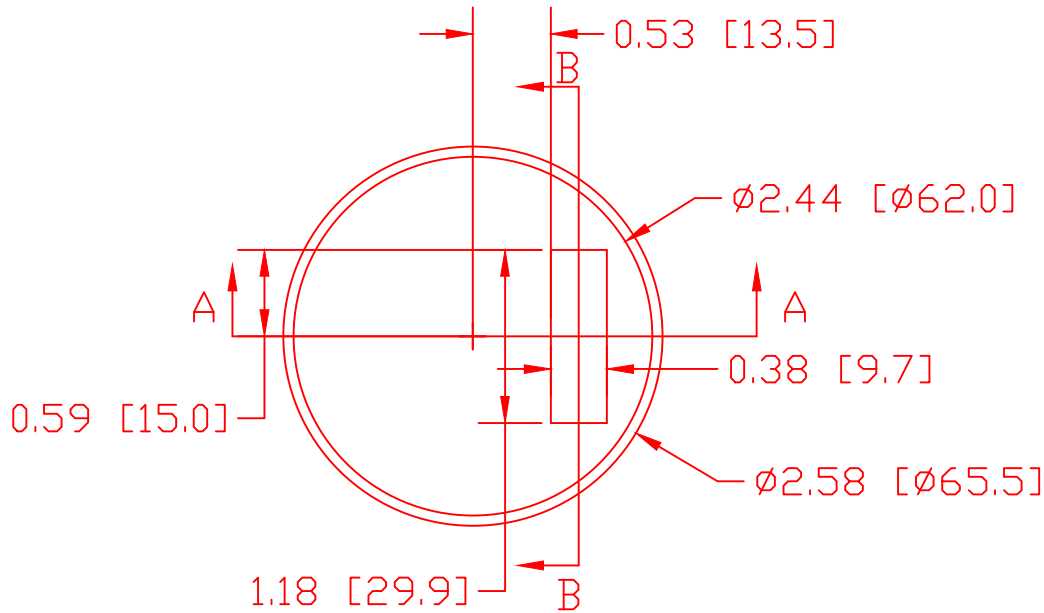


THE INFORMATION CONTAINED IN THIS DRAWING IS THE SOLE PROPERTY OF VTE INCORPORATED. ANY REPRODUCTION IN PART OR WHOLE WITHOUT THE WRITTEN PERMISSION OF VTE INCORPORATED IS PROHIBITED.

LTR.	REVISIONS	DATE
≠	*****	00-00-98

METRIC DIMENSIONS
IN []



TOLERANCE UNLESS OTHERWISE SPECIFIED: $\pm 0.30^\circ / \pm 0.8\text{mm}$
 RADIAL DIAMETERS TO BE MEASURED OVER MANDRELS,
 RING GAGES OR PIN GAGES OF SUITABLE SIZE

VTE Material Part No:
 MATERIAL:

1101650114
 BLACK PVC

	VTE Incorporated 5437 Robinson Road, P.O. Box 790 Pellston, Michigan 49769 Telephone: 1-800-527-9256, 231-539-8000 FAX: 231-539-0914	
	REF: *****	DATE: 04-APR-02

DRN BY: BRH	WEIGHT: 033 LBS. / 14.9 G.
CHK'D BY: BRH	SCALE: NOTED

TITLE: BATTERY TERMINAL INSULATOR

MATERIAL: NOTED

COLOR: NOTED

DRG CLASS *****

PART NO.
481N9V14

