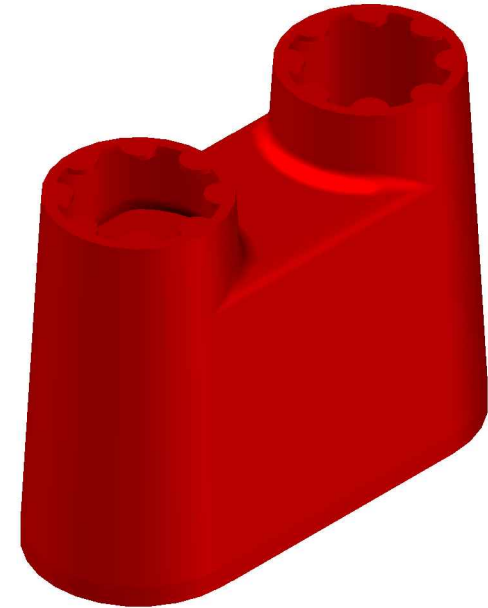
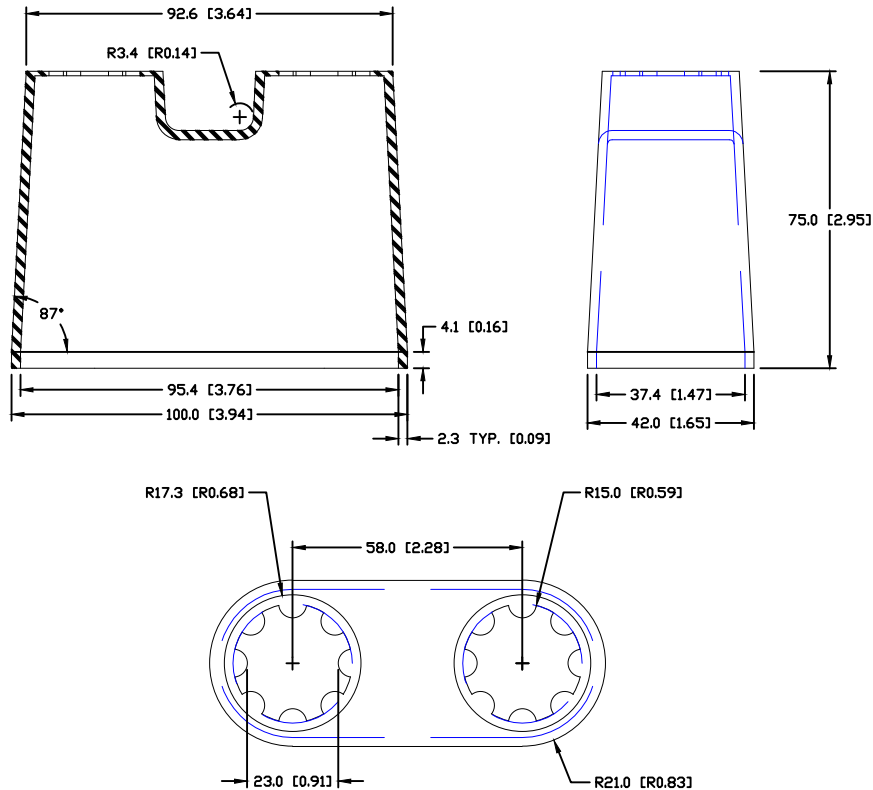


THE INFORMATION CONTAINED IN THIS DRAWING IS THE SOLE PROPERTY OF VTE INCORPORATED. ANY REPRODUCTION IN PART OR WHOLE WITHOUT THE WRITTEN PERMISSION OF VTE INCORPORATED IS PROHIBITED.

LTR.	REVISIONS	DATE
≠	*****	00-000-00



SPECIFIC GRAVITY:	0.970
DENSITY:	0.970 G/CM3
SHORE HARDNESS:	69
TENSILE STRESS AT BREAK:	1020 PSI.
TEAR STRENGTH:	130 LBF/IN
MAX OPERATING TEMP:	105 C
SHORE DUROMETER:	"A" 10 SEC 67/62
ULT. ELONGATION %:	475
BRITTLE TEMP:	-44 C
TENSILE STRENGTH:	1547 PSI
U.L. RATING	94 V2
MATERIAL	THERMOPLASTIC ELASTOMER
MATERIAL PART NO	SANTOPRENE 201-64

TOLERANCE UNLESS OTHERWISE SPECIFIED:
 MOLDED PRODUCTS ONLY: ±0.30"/±0.8mm
 HARDWARE ITEMS: ±0.010"/±0.25mm
 RADIAL DIAMETERS TO BE MEASURED OVER MANDRELS,
 RING GAGES OR PIN GAGES OF SUITABLE SIZE



VTE Incorporated
 5437 Robinson Road, P.O. Box 790
 Pellston, Michigan 49769
 Telephone: 1-800-527-9256, 231-539-8000
 FAX: 231-539-0914

REF: 10752768-001	DATE: 3JUN15	DRN BY: TJH CHK'D BY: BRH	WEIGHT: EST. 40 GRAMS
TITLE: DUAL CABLE TERMINAL INSULATOR			SCALE:
MATERIAL: SANTOPRENE 201-64 OR EQUIVALENT		PART NO. 484N9T02	
COLOR: RED	DRG CLASS: *****		