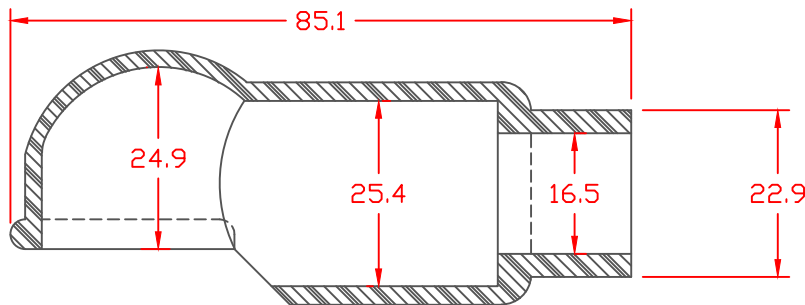
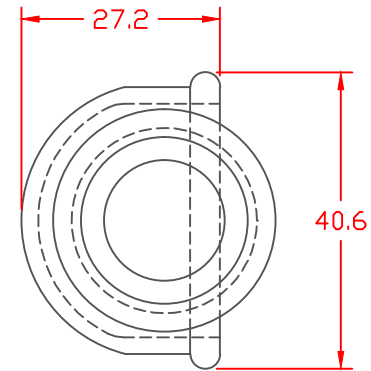
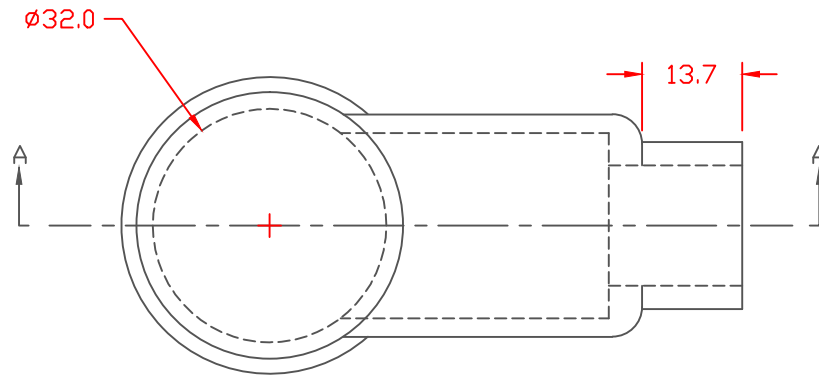


PROPRIETARY RIGHTS ARE CLAIMED FOR THE MATERIAL DISCLOSED IN THIS DRAWING.

TYP. WALL THICKNESS = 2.5

LTR.	REVISIONS	DATE
≠	*****	00-00-98



SECTION A-A

TOLERANCE UNLESS OTHERWISE SPECIFIED: ± 0.30 / ± 0.8 mm
 RADIAL DIAMETERS TO BE MEASURED OVER MANDRELS,
 RING GAGES OR PIN GAGES OF SUITABLE SIZE

Material:
 Material Part No

Thermoplastic Elastomer
 (Santoprene 101-64 or Equivalent)
 Durometer 67 to 73 Shore A

	VTE Incorporated 5437 Robinson Road, P.O. Box 790 Pellston, Michigan 49769 Telephone: 1-800-527-9256, 231-539-8000 FAX: 231-539-0914		
	REF:	DATE:	DRN BY: JC
	4-6-98	CHK'D BY:	WEIGHT: 058 LBS. / 26.4 G.

TITLE:	STARTER EYELET TERMINAL INSULATOR
--------	-----------------------------------

MATERIAL:	PART NO.
COLOR:	487N8 T14
DRG CLASS	

