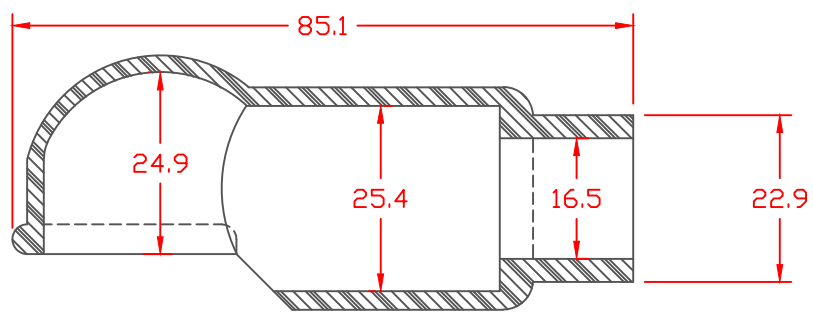
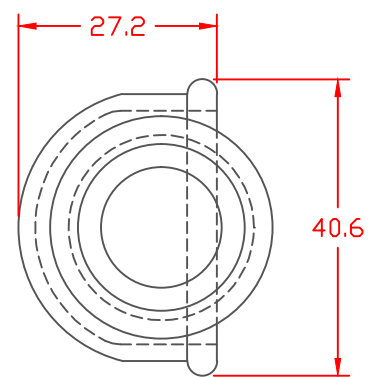
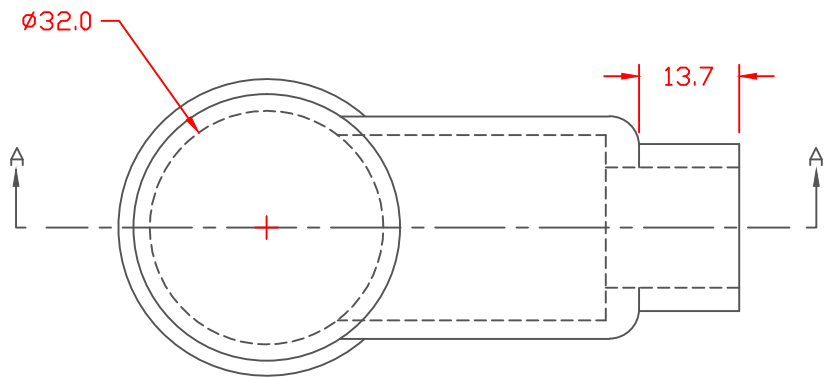


PROPRIETARY RIGHTS ARE CLAIMED FOR THE MATERIAL DISCLOSED IN THIS DRAWING.

TYP. WALL THICKNESS = 2.5

|      |           |          |
|------|-----------|----------|
| LTR. | REVISIONS | DATE     |
| ≠    | *****     | 00-00-98 |



TOLERANCE UNLESS OTHERWISE SPECIFIED: ±.030"/±0.8mm  
 RADIAL DIAMETERS TO BE MEASURED OVER MANDRELS,  
 RING GAGES OR PIN GAGES OF SUITABLE SIZE

SECTION A-A

|                             |            |
|-----------------------------|------------|
| VTE Material Part No:       | 1101650109 |
| Material:                   | BLUE PVC   |
| Material Part No:           | 05-916R    |
| Max. Operating Temp:        | 105 C      |
| Shore Durometer:            | "A" 65     |
| Specific Gravity:           | 1.27       |
| Ult. Elongation %:          | 325        |
| Brittle Temp:               | ****       |
| Tensile Strength PSI:       | 1500 PSI   |
| Dielectric Strength, v./ml: | ****       |
| U.L. Rating:                | ****       |
| MEETS:                      | ****       |



|   |           |   |              |
|---|-----------|---|--------------|
|   |           | <b>VTE Incorporated</b><br>5437 Robinson Road, P.O. Box 790<br>Pellston, Michigan 49769<br>Telephone: 1-800-527-9256, 231-539-8000<br>FAX: 231-539-0914 |              |
|   |           | REF:  | DATE: 4-6-98 |
| TITLE: <b>STARTER EYELET TERMINAL INSULATOR</b> |           |   |              |
| MATERIAL:                                       |           | PART NO. <b>487N8V09</b>  |              |
| COLOR:  | DRG CLASS |   |              |