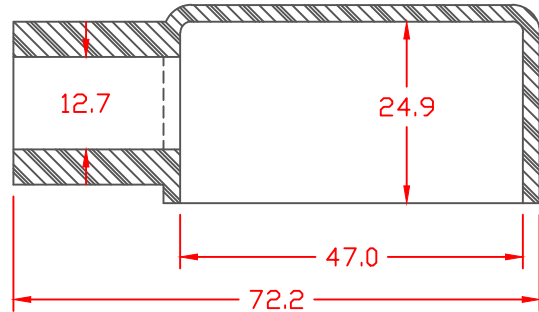
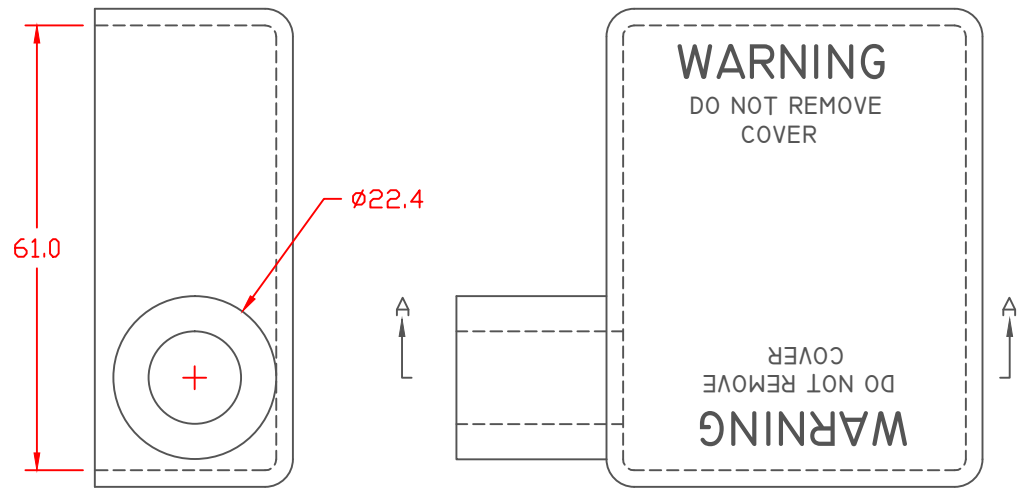


PROPRIETARY RIGHTS ARE CLAIMED FOR THE MATERIAL DISCLOSED IN THIS DRAWING.

LTR.	REVISIONS	DATE
≡	*****	00-00-98



SECTION A-A

TYP. WALL THICKNESS = 2.3

TOLERANCE UNLESS OTHERWISE SPECIFIED: ±.030"/±0.8mm
 RADIAL DIAMETERS TO BE MEASURED OVER MANDRELS,
 RING GAGES OR PIN GAGES OF SUITABLE SIZE

VTE Material Part No: 1101650109
 Material: BLUE PVC
 Material Part No: 05-916R
 Max. Operating Temp: 105 C
 Shore Durometer "A" 65
 Specific Gravity: 1.27
 Ult. Elongation %: 325
 Brittle Temp: ****
 Tensile Strength PSI: 1500 PSI
 Dielectric Strength, v./ml: ****
 U.L. Rating: ****
 MEETS: ****





VTE Incorporated
 5437 Robinson Road, P.O. Box 790
 Pellston, Michigan 49769
 Telephone: 1-800-527-9256, 231-539-8000
 FAX: 231-539-0914

REF:	DATE: 4-6-98	DRN BY: JC	WEIGHT: 078 LBS. / 35.5 G.
TITLE: BATTERY CABLE BOOT		CHK'D BY:	
MATERIAL:	PART NO. LEFT HAND		
COLOR:	DRG CLASS	500L7 V09	