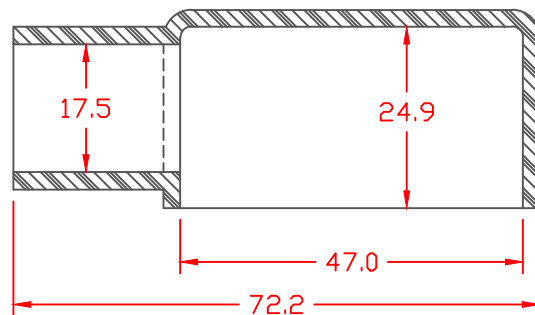
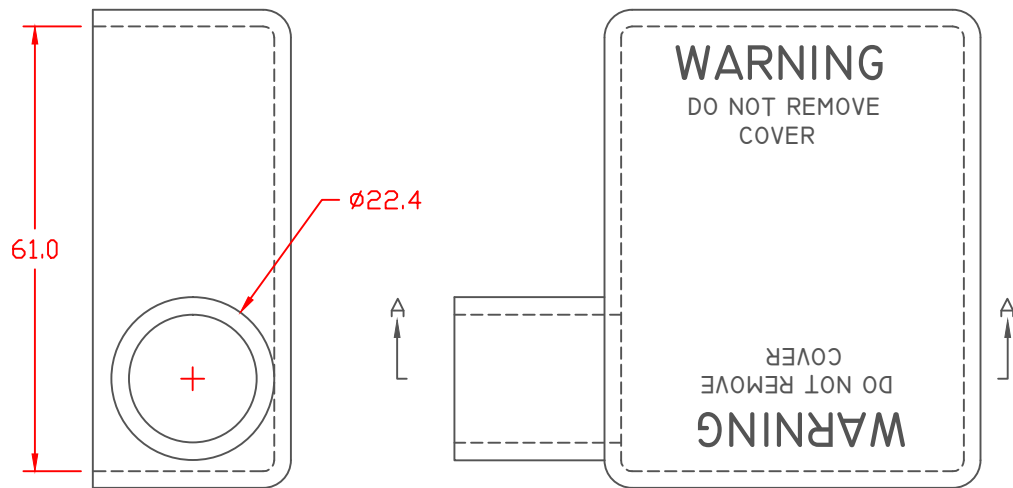


PROPRIETARY RIGHTS ARE CLAIMED FOR THE MATERIAL DISCLOSED IN THIS DRAWING.

LTR.	REVISIONS	DATE
≠	*****	00-00-98



SECTION A-A

TYP. WALL THICKNESS = 2.3

TOLERANCE UNLESS OTHERWISE SPECIFIED: ±.030"/±0.8mm
 RADIAL DIAMETERS TO BE MEASURED OVER MANDRELS,
 RING GAGES OR PIN GAGES OF SUITABLE SIZE

VTE Material Part No:
 Material:
 Material Part No
 Max. Operating Temp:
 Shore Durometer
 Specific Gravity:
 Ult. Elongation %:
 Brittle Temp:
 Tensile Strength PSI:
 Dielectric Strength, v./ml
 U.L. Rating:
 MEETS:

1101650109
 BLUE PVC
 05-916R
 105 C
 "A" 65
 1.27
 325

 1500 PSI



VTE Incorporated
 5437 Robinson Road, P.O. Box 790
 Pellston, Michigan 49769
 Telephone: 1-800-527-9256, 231-539-8000
 FAX: 231-539-0914

REF:	DATE: 4-6-98	DRN BY: JC CHK'D BY:	WEIGHT: .078 LBS. / 35.5 G
TITLE: BATTERY CABLE BOOT			
MATERIAL:		PART NO. LEFT HAND	
COLOR:		500L9V09	
DRG CLASS			