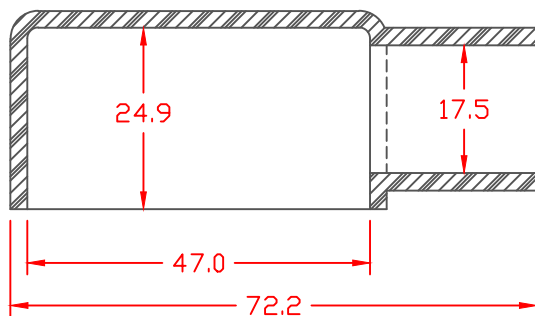
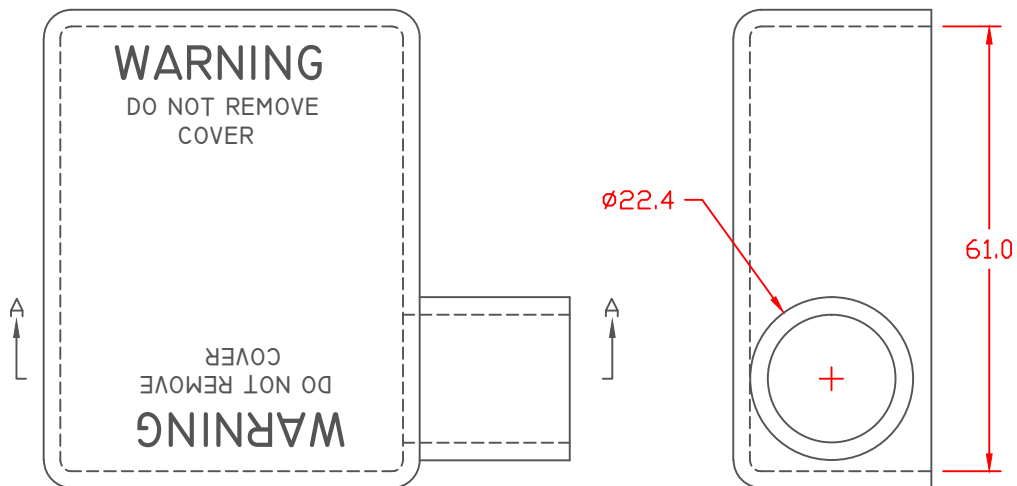


PROPRIETARY RIGHTS ARE CLAIMED FOR THE MATERIAL DISCLOSED IN THIS DRAWING.

LTR.	REVISIONS	DATE
≠	*****	00-00-98



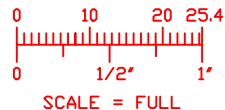
SECTION A-A

TYP. WALL THICKNESS = 2.3

TOLERANCE UNLESS OTHERWISE SPECIFIED: ±.030"/±0.8mm
 RADIAL DIAMETERS TO BE MEASURED OVER MANDRELS,
 RING GAGES OR PIN GAGES OF SUITABLE SIZE

Material:	YELLOW SYLVIN
Material Part No	9067-95 YELLOW 405
Max. Operating Temp:	60 C
Durometer: Shore "A"	94
Specific Gravity:	1.49
Ult. Elongation %:	259
Brittle Temp:	-19 C
Modulus PSI:	*****
Tensile Strength PSI:	2296 PSI

MEETS: *****



VTE Incorporated
 5437 Robinson Road, P.O. Box 790
 Pellston, Michigan 49769
 Telephone: 1-800-527-9256, 231-539-8000
 FAX: 231-539-0914

REF:	DATE: 4-6-98	DRN BY: JC CHK'D BY:	WEIGHT: 078 LBS. / 35.5 G.
TITLE: BATTERY CABLE BOOT			
MATERIAL:	PART NO. RIGHT HAND		500R9V05
COLOR:	DRG CLASS		