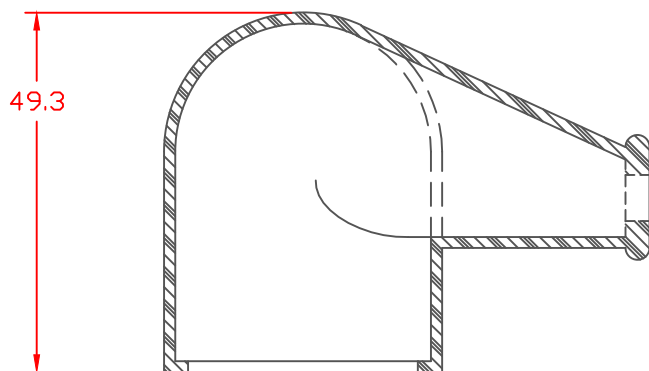
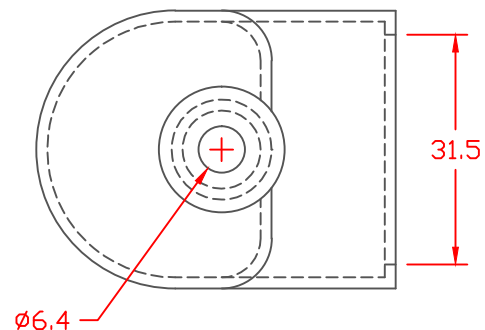
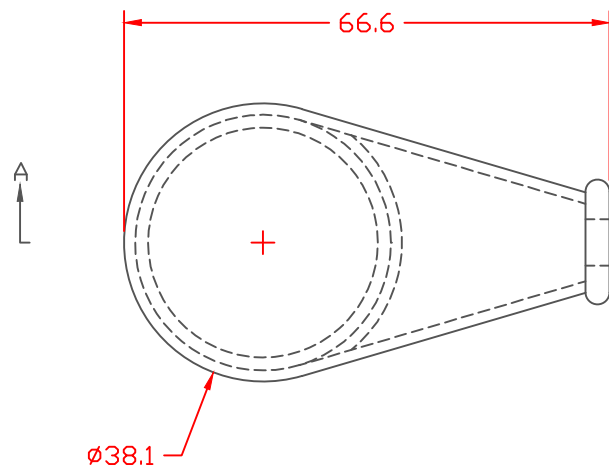


PROPRIETARY RIGHTS ARE CLAIMED FOR THE MATERIAL DISCLOSED IN THIS DRAWING.

LTR.	REVISIONS	DATE
≠	*****	00-00-98

MIN. WALL THICKNESS = 1.0




SECTION A-A

VTE Material Part No: 1101650109
 Material: BLUE PVC
 Material Part No: 05-916R
 Max. Operating Temp: 105 C
 Shore Durometer "A" 65
 Specific Gravity: 1.27
 Ult. Elongation %: 325
 Brittle Temp: ****
 Tensile Strength PSI: 1500 PSI
 Dielectric Strength, v./ml: ****
 U.L. Rating: ****
 MEETS: ****

TOLERANCE UNLESS OTHERWISE SPECIFIED: ±.030"/±0.8mm
 RADIAL DIAMETERS TO BE MEASURED OVER MANDRELS,
 RING GAGES OR PIN GAGES OF SUITABLE SIZE



		VTE Incorporated 5437 Robinson Road, P.O. Box 790 Pellston, Michigan 49769 Telephone: 1-800-527-9256, 231-539-8000 FAX: 231-539-0914	
		REF:	DATE: 4-7-98
TITLE: EYELET TERMINAL INSULATOR BOOT			
MATERIAL:		PART NO. 550N6V09	
COLOR:	DRG CLASS		