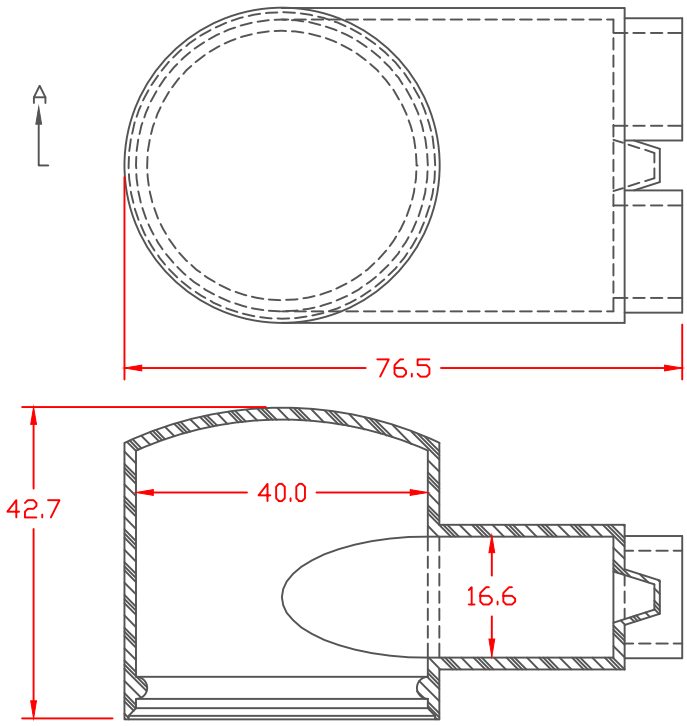


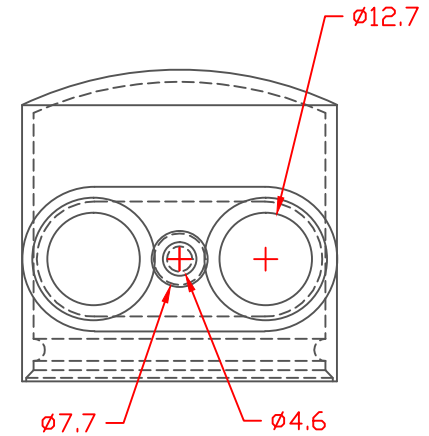
PROPRIETARY RIGHTS ARE CLAIMED FOR THE MATERIAL DISCLOSED IN THIS DRAWING.

TYP. WALL THICKNESS = 1.5

LTR.	REVISIONS	DATE
≠	*****	00-00-98

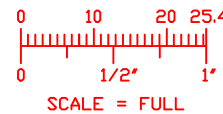



SECTION A-A



TOLERANCE UNLESS OTHERWISE SPECIFIED:  $\pm 0.30 / \pm 0.8\text{mm}$   
 RADIAL DIAMETERS TO BE MEASURED OVER MANDRELS,  
 RING GAGES OR PIN GAGES OF SUITABLE SIZE

VTE Material Part No: 1101650109  
 Material: BLUE PVC  
 Material Part No: 05-916R  
 Max. Operating Temp: 105 C  
 Shore Durometer "A" 65  
 Specific Gravity: 1.27  
 Ult. Elongation %: 325  
 Brittle Temp: \*\*\*\*  
 Tensile Strength PSI: 1500 PSI  
 Dielectric Strength, v./ml: \*\*\*\*  
 U.L. Rating: \*\*\*\*  
 MEETS: \*\*\*\*



		<b>VTE Incorporated</b> 5437 Robinson Road, P.O. Box 790 Pellston, Michigan 49769 Telephone: 1-800-527-9256, 231-539-8000 FAX: 231-539-0914	
		REF:	DATE: 4-8-98
TITLE: <b>STYLE 4 MARINE BOOT-UPPER</b>		CHK'D BY:	
MATERIAL:		PART NO. <b>600N4V09</b>	
COLOR:	DRG CLASS		