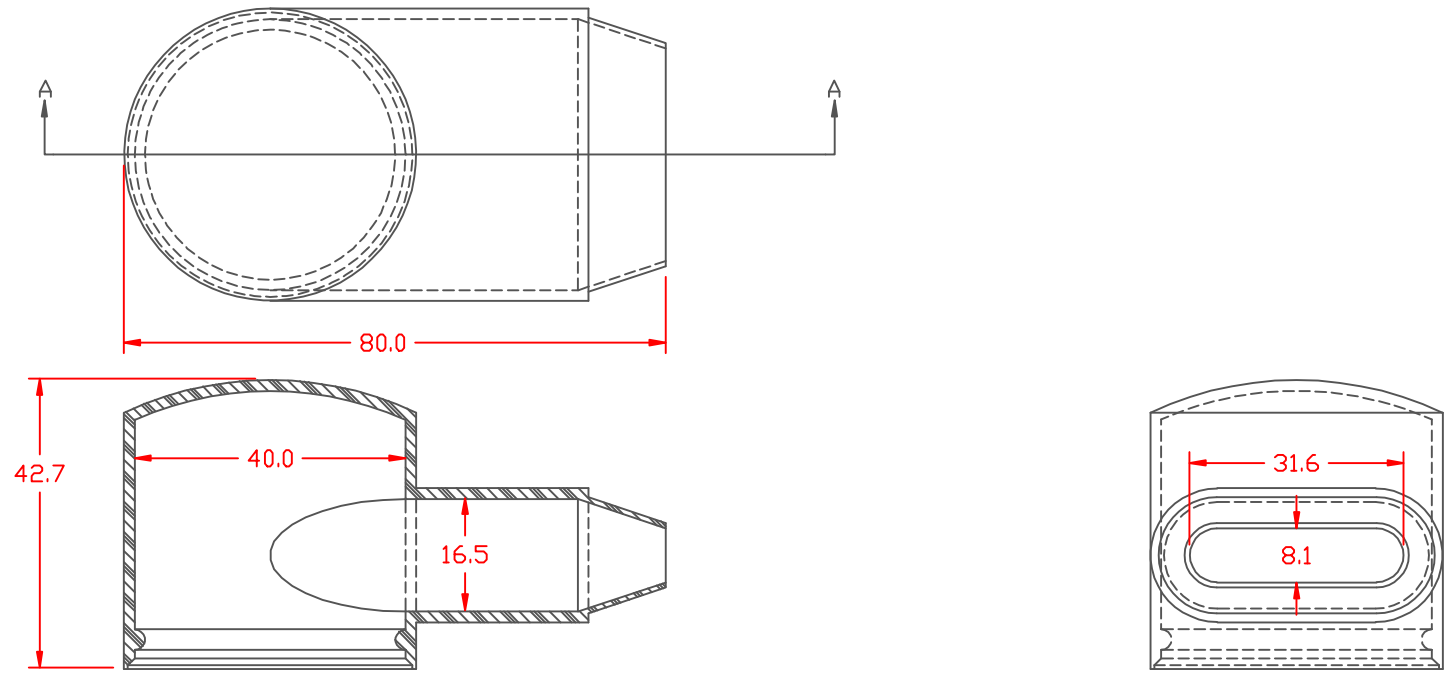


PROPRIETARY RIGHTS ARE CLAIMED FOR THE MATERIAL DISCLOSED IN THIS DRAWING.
 TYP. WALL THICKNESS = 1.5

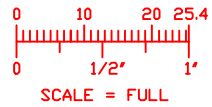
LTR.	REVISIONS	DATE
≡	*****	00-00-98

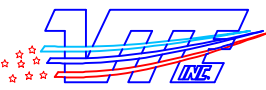


SECTION A-A

TOLERANCE UNLESS OTHERWISE SPECIFIED: ±.030"/±0.8mm
 RADIAL DIAMETERS TO BE MEASURED OVER MANDRELS,
 RING GAGES OR PIN GAGES OF SUITABLE SIZE

Material: Red Thermoplastic Rubber
 Material Part No: APA Alcryn 2060NC or Equivalent
 Max. Operating Temp: 125 C.
 Shore Durometer: "A" 10 SEC. 55-65
 Specific Gravity: 1.12
 Ult. Elongation %: 420
 Brittle Temp: -85 C.
 Tensile Strength PSI: 1150 PSI
 Dielectric Strength, v./ml: 365
 U.L. Rating: No Data



		VTE Incorporated 5437 Robinson Road, P.O. Box 790 Pellston, Michigan 49769 Telephone: 1-800-527-9256, 231-539-8000 FAX: 231-539-0914	
		REF:	DATE:
	4-8-98	CHK'D BY:	053 LBS. / 23.9 G.
TITLE: STYLE 7 MARINE BOOT-UPPER			
MATERIAL:		PART NO:	
		600N7T02	
COLOR:	DRG CLASS		