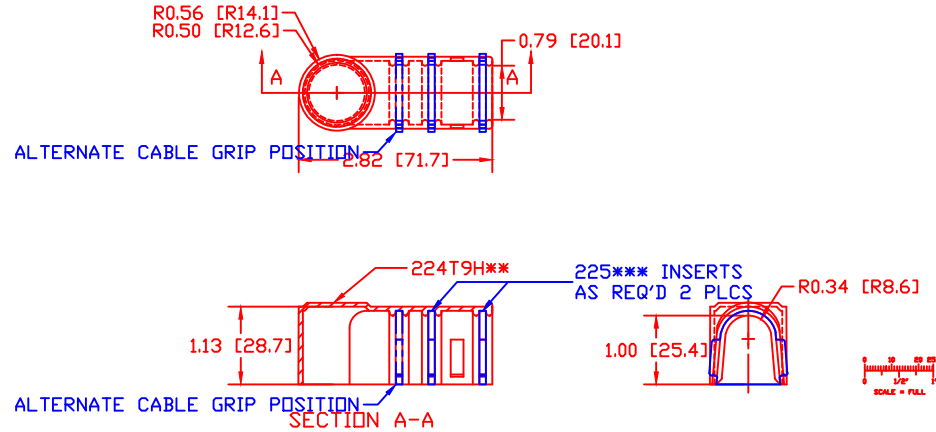


THE INFORMATION CONTAINED IN THIS DRAWING IS THE SOLE PROPERTY OF VTE INCORPORATED. ANY REPRODUCTION IN PART OR WHOLE WITHOUT THE WRITTEN PERMISSION OF VTE INCORPORATED IS PROHIBITED.

LTR.	REVISIONS	DATE
A	ADDED MATERIAL IDENTIFIER WILDCARD	05DEC08
B	ADDED INSERT PART NUMBERS	16MAY13
C	REMOVED "H" MATERIAL	15MAY14



Ⓐ


* MATERIAL IDENTIFIER
V=95 DUROMETER PVC

Ⓒ

GRIP INSERT STYLES Ⓑ

PART NUMBER	COLOR	CABLE C/L HEIGHT	STYLE "A"30		STYLE "A"50		A30	A50
			MIN.	MAX.	MIN.	MAX.		
725A30*02	RED		.36"/ 9.1mm	.73"/ 18.6mm	.52"/ 13.2mm	.69"/ 17.6mm		
725A30*14	BLACK	CABLE Ø	.300"/7.6mm		.500"/12.7mm			
725A50*02	RED	MAX	1.00"/25.4mm		1.00"/25.4mm			
725A50*14	BLACK	TERMINAL Ø	1.00"/25.4mm		1.00"/25.4mm			
PART NUMBER	COLOR	CABLE C/L HEIGHT	STYLE "B"30		STYLE "B"50		B30	B50
			FIXED	FIXED	FIXED	FIXED		
725B30*02	RED		.52"/13.2mm		.52"/13.2mm			
725B30*14	BLACK	CABLE Ø	.300"/7.6mm		.500"/12.7mm			
725B50*02	RED	MAX	1.00"/25.4mm		1.00"/25.4mm			
725B50*14	BLACK	TERMINAL Ø	1.00"/25.4mm		1.00"/25.4mm			
PART NUMBER	COLOR	CABLE C/L HEIGHT	STYLE "C"30		STYLE "C"50		C30	C50
			FIXED	FIXED	FIXED	FIXED		
725C30*02	RED		.52"/13.2mm		.52"/13.2mm			
725C30*14	BLACK	CABLE Ø	.300"/7.6mm		.500"/12.7mm			
725C50*02	RED	MAX	.60"/15.2mm		.86"/21.8mm			
725C50*14	BLACK	TERMINAL Ø	.60"/15.2mm		.86"/21.8mm			

TOLERANCE UNLESS OTHERWISE SPECIFIED: ±.030"/±0.8mm
RADIAL DIAMETERS TO BE MEASURED OVER MANDRELS,
RING GAGES OR PIN GAGES OF SUITABLE SIZE



VTE Incorporated
5437 Robinson Road, P.O. Box 790
Pellston, Michigan 49769
Telephone: 1-800-527-9256, 231-539-8000
FAX: 231-539-0914

REF: 224T9*** AND 225***	DATE: 00-00-98	DRN BY: BRH CHK'D BY: BRH	WEIGHT: ***
TITLE: TUNNEL CAP TERMINAL INSULATOR			SCALE:
MATERIAL:		PART NO.	
COLOR: CHARTED	DRG CLASS: ***	725 SERIES	