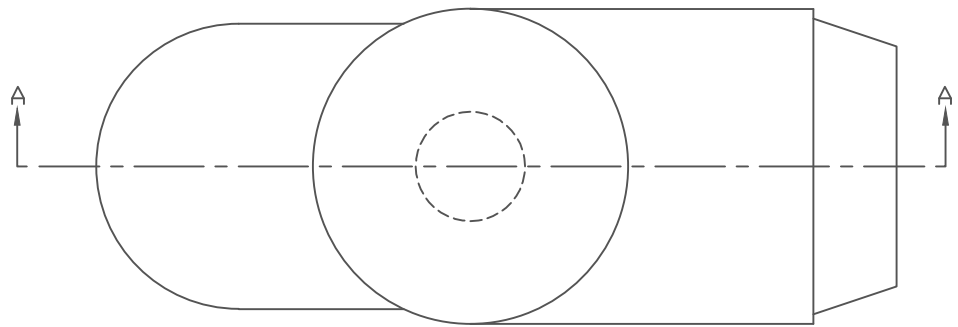


PROPRIETARY RIGHTS ARE CLAIMED FOR THE MATERIAL DISCLOSED IN THIS DRAWING.

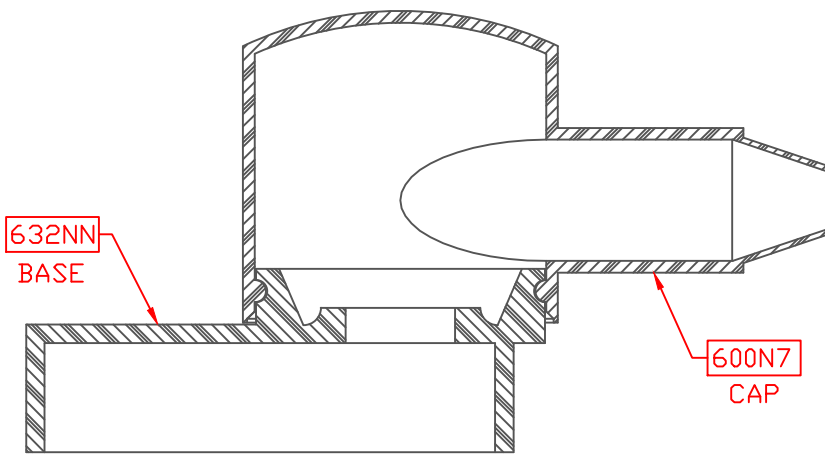
NEGATIVE TERMINAL

LTR.	REVISIONS	DATE
≠	*****	00-00-98

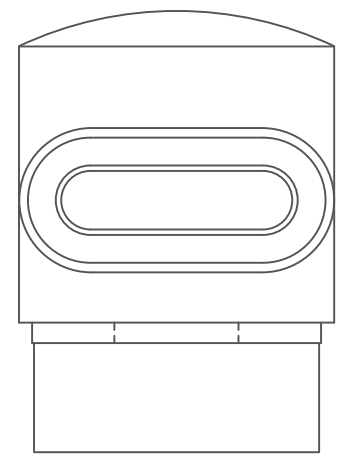


(1) 730N714 KIT CONTAINS THE FOLLOWING

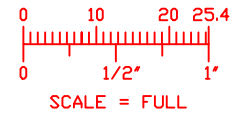
QUANTITY	PART #	DESCRIPTION
1	600N7V14	BATTERY TERMINAL CAP
1	632NNV14	BATTERY TERMINAL BASE




SECTION A-A



Material: BLACK PVC
 Material Part No: 9812-65
 Max. Operating Temp: 105 C
 Shore Durometer "A" 10 SEC. 67/63
 Specific Gravity: 1.33
 Ult. Elongation %: 520
 Brittle Temp: -36 C
 Tensile Strength PSI: 1563 PSI
 Dielectric Strength, v./ml: 540
 U.L. Rating: 94 V2
 MEETS: FMVSS.302





VTE Incorporated
 5437 Robinson Road, P.O. Box 790
 Pellston, Michigan 49769
 Telephone: 1-800-527-9256, 231-539-8000
 FAX: 231-539-0914

REF:	DATE: 5-4-98	DRN BY: JC	WEIGHT: ****
TITLE: MARINE BATTERY TERMINAL BOOT ASSEMBLY		CHK'D BY:	
MATERIAL:	PART NO. 730N7V14		
COLOR:	DRG CLASS		