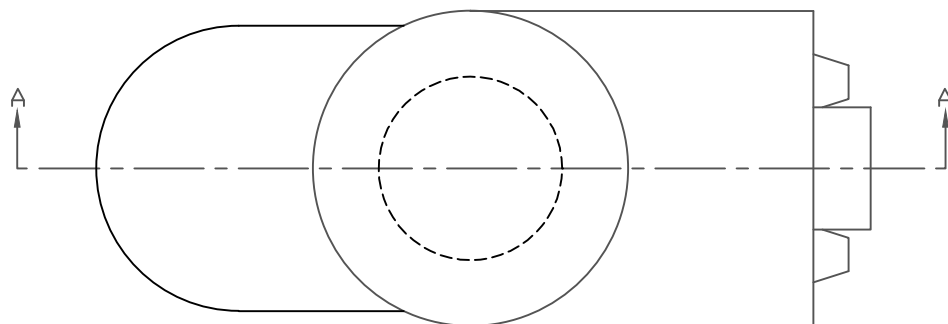


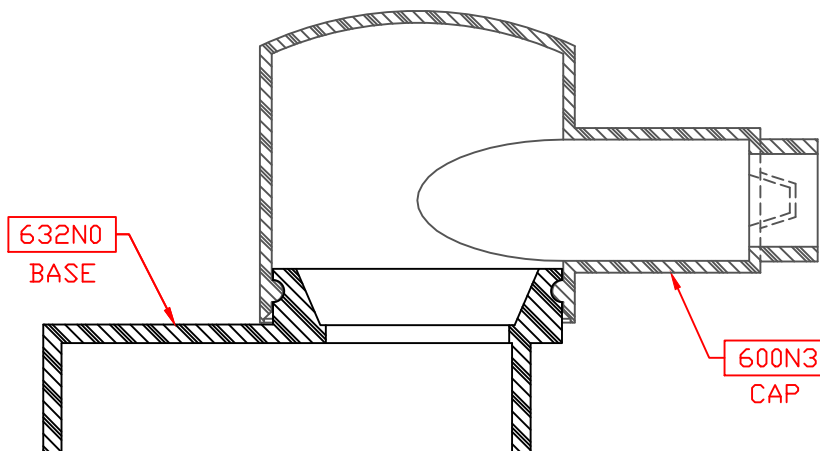
PROPRIETARY RIGHTS ARE CLAIMED FOR THE MATERIAL DISCLOSED IN THIS DRAWING.

POSITIVE TERMINAL

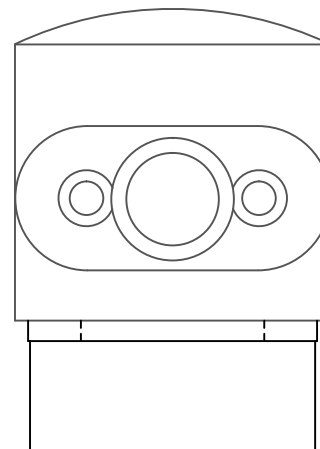



(1) 732N3V02 KIT CONTAINS THE FOLLOWING

| QUANTITY | PART # | DESCRIPTION |
|----------|----------|-----------------------|
| 1 | 600N3V02 | BATTERY TERMINAL CAP |
| 1 | 632N0V02 | BATTERY TERMINAL BASE |



SECTION A-A



| | | | |
|---|-----------|---|-----------------|
|  | | VTE Incorporated 5437 Robinson Road, P.O. Box 790 Pellston, Michigan 49769 Telephone: 1-800-527-9256, 231-539-8000 FAX: 231-539-0914 | |
| | | REF: | DATE: 5-4-98 |
| TITLE: MARINE BATTERY TERMINAL BOOT ASSEMBLY | | | |
| MATERIAL: | | PART NO. 732N3V02 | |
| COLOR: | DRG CLASS | | |