

THE INFORMATION CONTAINED IN THIS DRAWING IS THE SOLE PROPERTY OF VTE INCORPORATED. ANY REPRODUCTION IN PART OR WHOLE WITHOUT THE WRITTEN PERMISSION OF VTE INCORPORATED IS PROHIBITED.

LTR.	REVISIONS	DATE
	ADDED MATERIAL IDENTIFIER VALUE	05DEC08
	REMOVED 'H' MATERIAL	15MAY14

Ⓐ

* MATERIAL IDENTIFIER Ⓑ
V=95 DURDMETER PVC

STYLE 'A' GRIP INSERTS

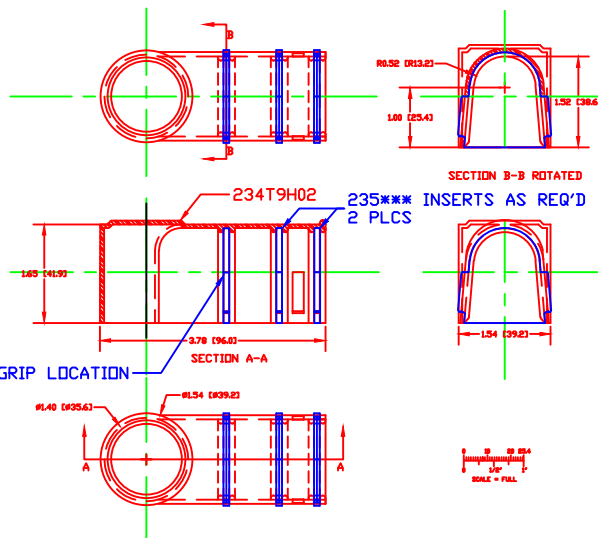
PART NUMBER	COLOR	CABLE C/L HEIGHT	STYLE 'A'30		STYLE 'A'50		STYLE 'A'70		STYLE 'A'90					
			MIN.	MAX.	MIN.	MAX.	MIN.	MAX.	MIN.	MAX.				
735A30*02	RED		.28"/	1.00"/	.47"/	1.00"/	.66"/	1.00"/	.85"/	1.00"/				
			7.1mm	25.4mm	19.1mm	25.4mm	16.8mm	25.4mm	21.6mm	25.4mm				
735A30*14	BLACK	CABLE ϕ	.300"/	7.6mm	.500"/	12.7mm	.700"/	17.8mm	.900"/	22.9mm				
735A50*02	RED	MAX												
735A50*14	BLACK	TERMINAL ϕ	1.4"/	35.6mm	1.4"/	35.6mm	1.4"/	35.6mm	1.4"/	35.6mm				
735A70*02	RED													
735A70*14	BLACK													
735A90*02	RED													
735A90*14	BLACK													

STYLE 'B' GRIP INSERTS

PART NUMBER	COLOR	CABLE C/L HEIGHT	STYLE 'B'30		STYLE 'B'50		STYLE 'B'70		STYLE 'B'90					
			FIXED	FIXED	FIXED	FIXED								
735B30*02	RED		.75"/	19.1mm	.75"/	19.1mm	.75"/	19.1mm	.75"/	19.1mm				
735B30*14	BLACK	CABLE ϕ	.300"/	7.6mm	.500"/	12.7mm	.700"/	17.8mm	.900"/	22.9mm				
735B50*02	RED	MAX												
735B50*14	BLACK	TERMINAL ϕ	1.4"/	35.6mm	1.4"/	35.6mm	1.4"/	35.6mm	1.4"/	35.6mm				
735B70*02	RED													
735B70*14	BLACK													
735B90*02	RED													
735B90*14	BLACK													

STYLE 'C' GRIP INSERTS

PART NUMBER	COLOR	CABLE C/L HEIGHT	STYLE 'C'30		STYLE 'C'50		STYLE 'C'70		STYLE 'C'90					
			FIXED	FIXED	FIXED	FIXED								
735C30*02	RED		.75"/	19.1mm	.75"/	19.1mm	.75"/	19.1mm	.75"/	19.1mm				
735C30*14	BLACK	CABLE ϕ	.300"/	7.6mm	.500"/	12.7mm	.700"/	17.8mm	.900"/	22.9mm				
735C50*02	RED	MAX												
735C50*14	BLACK	TERMINAL ϕ	.60"/	15.2mm	.86"/	21.8mm	1.1"/	27.9mm	1.3"/	31.7mm				
735C70*02	RED													
735C70*14	BLACK													
735C90*02	RED													
735C90*14	BLACK													



TOLERANCE UNLESS OTHERWISE SPECIFIED: $\pm 0.030"/\pm 0.8mm$
RADIAL DIAMETERS TO BE MEASURED OVER MANDRELS,
RING GAGES OR PIN GAGES OF SUITABLE SIZE

VTE Incorporated
5437 Robinson Road, P.O. Box 790
Pellston, Michigan 49769
Telephone: 1-800-527-9256, 231-539-8000
FAX: 231-539-0914

REF: 234T9*** & 235***	DATE: 00-00-98	DRN BY: BRH	WEIGHT: ***
TITLE: TUNNEL CAP INSULATOR			SCALE:
MATERIAL:		PART NO.	
COLOR: CHARTED	DRG CLASS: ***	735 SERIES	