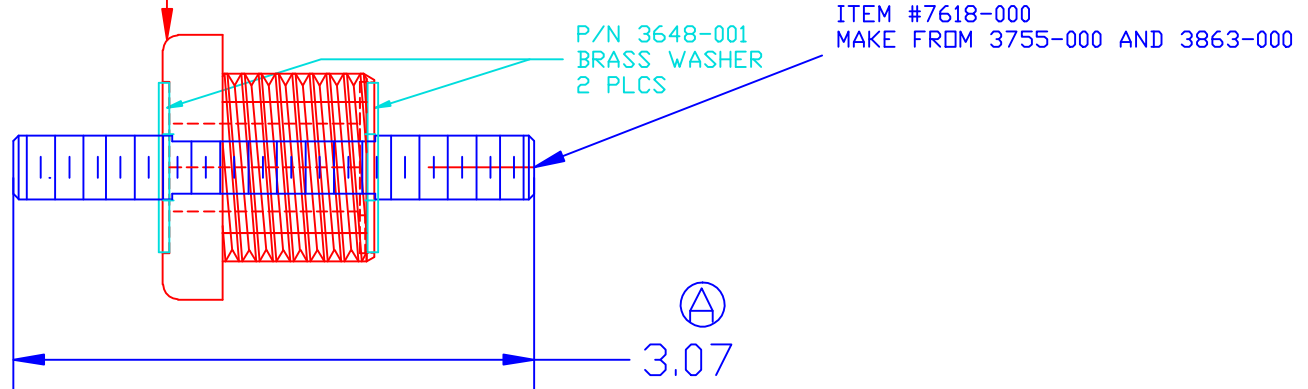


THE INFORMATION CONTAINED IN THIS DRAWING IS THE SOLE PROPERTY OF VTE INCORPORATED. ANY REPRODUCTION IN PART OR WHOLE WITHOUT THE WRITTEN PERMISSION OF VTE INCORPORATED IS PROHIBITED.

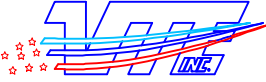
LTR.	REVISIONS	DATE
△	3.07" WAS 3.250"	02AUG10

ITEM NUMBER: 7374N

P/N 360N8N14 BUSHING



TOLERANCE UNLESS OTHERWISE SPECIFIED:
 MOLDED PRODUCTS ONLY: ±0.30"/±0.8mm
 HARDWARE ITEMS: ±0.010"/±0.25mm
 RADIAL DIAMETERS TO BE MEASURED OVER MANDRELS,
 RING GAGES OR PIN GAGES OF SUITABLE SIZE

		VTE Incorporated 5437 Robinson Road, P.O. Box 790 Pellston, Michigan 49769 Telephone: 1-800-527-9256, 231-539-8000 FAX: 231-539-0914	
REF: *****	DATE: 27MAY10	DRN BY: BRH	WEIGHT: *****
TITLE: POWER BUSHING, BRASS 3/8"		CHK'D BY: BRH	SCALE:
MATERIAL:		PART NO.	
COLOR: *****	DRG CLASS *****	7374N	