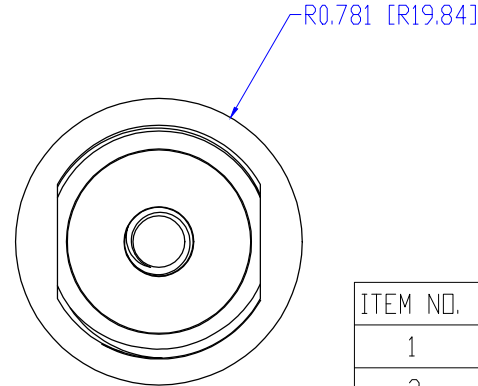
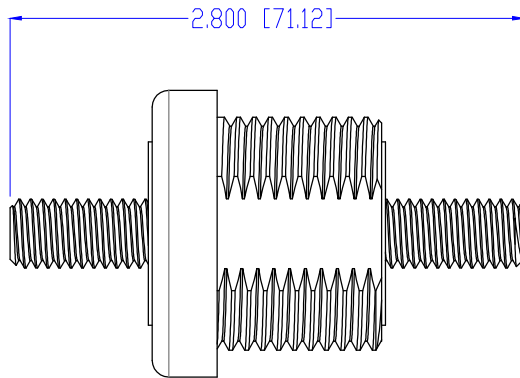


SECTION B-B



ITEM NO.	PART NUMBER	DESCRIPTION	QTY.
1	360N8N14	GFN BUSHING	1
2	3863-000	COPPER CORE	1
3	3755-003	3/8"-16 THREADED ROD	1
4	3648-004	NICKEL PLATED COPPER CONTACT WASHER	2

CURRENT CARRYING CAPACITY:  
 DUTY CYCLE:  
 CURRENT CAPACITY:  
 TEMPORARY MAX (12 MINUTES)

80%  
 5.2 Kw (440 AMP @ 12VDC)  
 6.6 Kw (550 AMP @ 12VDC)

MAXIMUM FASTENER TORQUES:  
 SEALING NUT: 10 FT./LBS.(120 IN./LBS.)

BASE MATERIAL U.L. RATING: **94 HB**  
 BASE MATERIAL: **GLASS-REINFORCED NYLON**

TOLERANCES UNLESS OTHERWISE SPECIFIED :  
 MOLDED PRODUCTS ONLY : ±.030" / ±0.8mm  
 HARDWARE ITEMS : ±.010" / ±0.25mm  
 RADIAL DIAMETERS TO BE MEASURED OVER  
 MANDRELS, RING GAGES OR PIN  
 GAGES OF SUITABLE SIZE



**VTE INCORPORATED**  
 5437 Robinson Road, P.O. Box 790  
 Pellston, Michigan 49769 USA  
 Telephone : 1-800-527-9256, 231-539-8000  
 Fax : 231-539-0914, Efax : 231-344-5914

PRINTED COPIES ARE NOT CONTROLLED  
 PROPRIETARY AND CONFIDENTIAL  
 THE INFORMATION CONTAINED IN THIS  
 DRAWING IS THE SOLE PROPERTY OF  
 VTE INCORPORATED. ANY REPRODUCTION  
 IN PART OR AS A WHOLE WITHOUT THE WRITTEN  
 PERMISSION OF VTE INCORPORATED PROHIBITED.

REV	NAME	DATE
	DRAWN BY: RAS	6/6/2016
SIZE A	CHECKED BY:	
DO NOT SCALE DRAWING		

TITLE: POWER BUSHING SUB ASSEMBLY
DWG. NO. 7376XC114