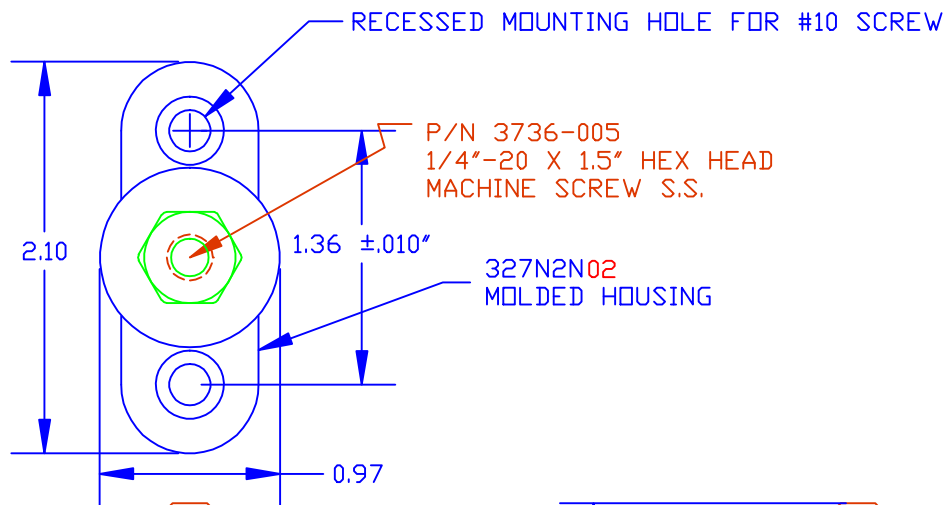


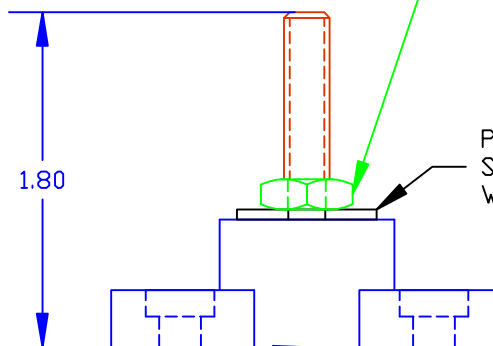
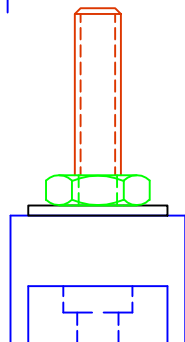
THE INFORMATION CONTAINED IN THIS DRAWING IS THE SOLE PROPERTY OF VTE INCORPORATED. ANY REPRODUCTION IN PART OR WHOLE WITHOUT THE WRITTEN PERMISSION OF VTE INCORPORATED IS PROHIBITED.

LTR.	REVISIONS	DATE



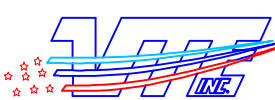
DO NOT
SCALE

P/N 3842-003 1/4"-20 STAINLESS
STEEL HEAVY HEX JAM NUT 2 PLCS.
BOTTOM NUT FACTORY INSTALLED TO
72 IN./LBS.



TOLERANCE UNLESS OTHERWISE SPECIFIED: ±.030"/±0.8mm
RADIAL DIAMETERS TO BE MEASURED OVER MANDRELS,
RING GAGES OR PIN GAGES OF SUITABLE SIZE

BASE MATERIAL: GLASS-REINFORCED NYLON
 BASE MATERIAL U.L. RATING: 94 HB
 DIELECTRIC STRENGTH: 630 VOLTS/MIL PER ASTM D149
 VOLTAGE RATING: 48 VDC MAX.
 CURRENT RATING: 165 AMPS @ 12 VDC
 TEMP. RISE AT LOAD: 52 DEG. F.
 MAXIMUM RECOMMENDED TORQUE: 60 IN./LBS.

		VTE Incorporated 5437 Robinson Road, P.O. Box 790 Pellston, Michigan 49769 Telephone: 1-800-527-9256, 231-539-8000 FAX: 231-539-0914	
		REF: *****	DATE: 03MAY13
TITLE: 1/4" SMALL JUNCTION STUD SPECIAL FOR ENDRIES 1.5" BOLT LENGTH			SCALE:
MATERIAL:		PART NO.	
COLOR: RED	DRG CLASS: *****	77025 N0X1	