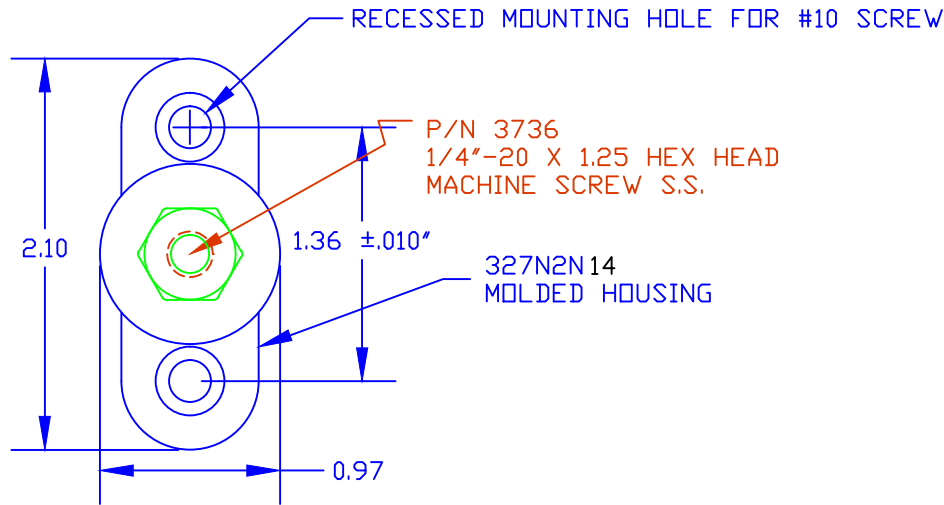
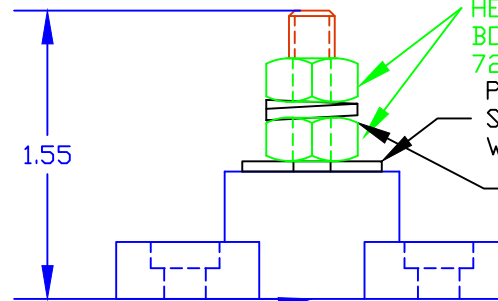
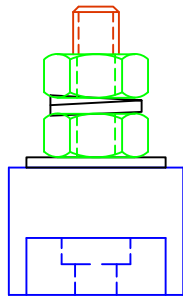


THE INFORMATION CONTAINED IN THIS DRAWING IS THE SOLE PROPERTY OF VTE INCORPORATED. ANY REPRODUCTION IN PART OR WHOLE WITHOUT THE WRITTEN PERMISSION OF VTE INCORPORATED IS PROHIBITED.

LTR.	REVISIONS	DATE	INT.
△	3842-002 WAS 3842	19MAY05	BRH
⊞	REPLACED P/N 3842-002 WITH P/N 3842-005	14APR16	RAS



DO NOT
SCALE



329N0V14
CAVITY PLUG

TOLERANCE UNLESS OTHERWISE SPECIFIED: ±.030"/±0.8mm
RADIAL DIAMETERS TO BE MEASURED OVER MANDRELS,
RING GAGES OR PIN GAGES OF SUITABLE SIZE

BASE MATERIAL: GLASS-REINFORCED NYLON
 BASE MATERIAL U.L. RATING: 94 HB
 DIELECTRIC STRENGTH: 630 VOLTS/MIL PER ASTM D149
 CURRENT RATING: 165 AMPS
 TEMP. RISE AT LOAD: 52 DEG. F.
 MAXIMUM RECOMMENDED TORQUE: 60 IN./LBS.



VTE Incorporated
 5437 Robinson Road, P.O. Box 790
 Pellston, Michigan 49769
 Telephone: 1-800-527-9256, 231-539-8000
 FAX: 231-539-0914

REF: *****	DATE: 09APR03	DRN BY: BRH	WEIGHT: *****
TITLE: 1/4" SMALL JUNCTION STUD			SCALE:
MATERIAL:		PART NO.	
COLOR: BLACK	DRG CLASS: *****	77025-X14	