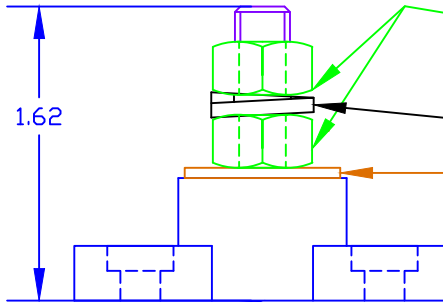
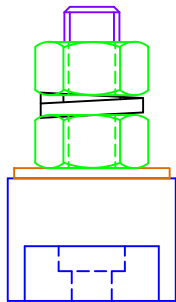
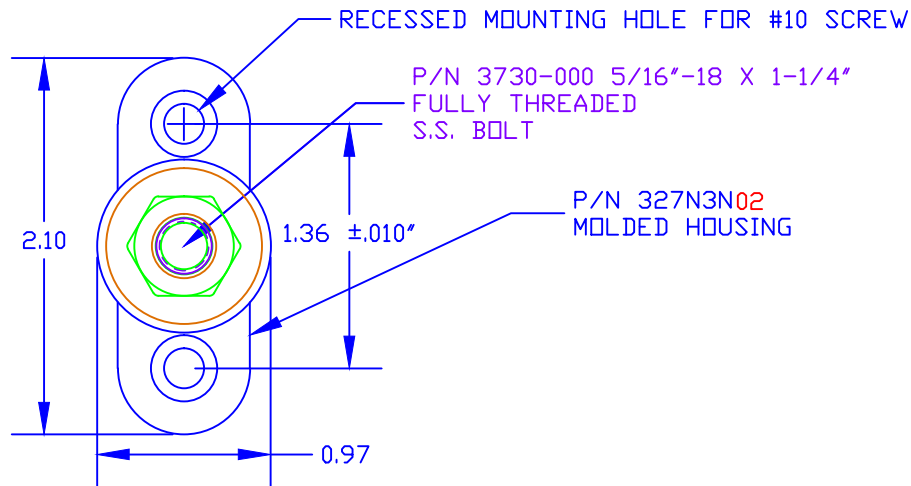


THE INFORMATION CONTAINED IN THIS DRAWING IS THE SOLE PROPERTY OF VTE INCORPORATED. ANY REPRODUCTION IN PART OR WHOLE WITHOUT THE WRITTEN PERMISSION OF VTE INCORPORATED IS PROHIBITED.

LTR.	REVISIONS	DATE	INT.
A	ADDED MATERIAL AND PERFORMANCE NOTES	22JAN04	BRH
B	REVISED PERFORMANCE NOTES	23FEB04	BRH
C	3843-002 WAS 3843	19MAY05	BRH
D	REPLACED P/N 3843-001 WITH P/N 3843-008	14APR16	RAS
E	PN 329NDV** CHANGED TO 329NDN**	27JUN16	MDL



OPTIONAL CONSTRUCTION NOTE:
 COLOR OF BOLT CAVITY PLUG ON BOTTOM OF ASSEMBLY MAY VARY
 P/N 3843-008 5/16"-18 HEAVY NUT STAINLESS STEEL (D)
 2 PLCS.
 BOTTOM NUT FACTORY ASSEMBLED TO 12 FT./LBS. (144 IN./LBS.)
 P/N 3642-000 5/16" STAINLESS STEEL SPRING WASHER
 P/N 3645-000 5/16" STAINLESS STEEL FLAT WASHER

P/N 329NDN 02 CAVITY PLUG (E) (NOT SHOWN)

TOLERANCE UNLESS OTHERWISE SPECIFIED: ±.030"/±0.8mm
 RADIAL DIAMETERS TO BE MEASURED OVER MANDRELS,
 RING GAGES OR PIN GAGES OF SUITABLE SIZE

BASE MATERIAL: GLASS-REINFORCED NYLON
 BASE MATERIAL U.L. RATING: 94 HB
 DIELECTRIC STRENGTH: 630 VOLTS/MIL PER ASTM D149
 CURRENT RATING: 250 AMPS
 TEMP. RISE AT LOAD: 52 DEG. F.
 MAXIMUM RECOMMENDED TORQUE: 10 FT./LBS. (120 IN./LBS.)

DO NOT SCALE

VTE Incorporated
 5437 Robinson Road, P.O. Box 790
 Pellston, Michigan 49769
 Telephone: 1-800-527-9256, 231-539-8000
 FAX: 231-539-0914

REF: ***	DATE: 09APR03	DRN BY: BRH	WEIGHT: ***
TITLE: 5/16" SMALL JUNCTION STUD			SCALE:
MATERIAL:		PART NO.	
COLOR: RED	DRG CLASS: ***	77031-XN02	