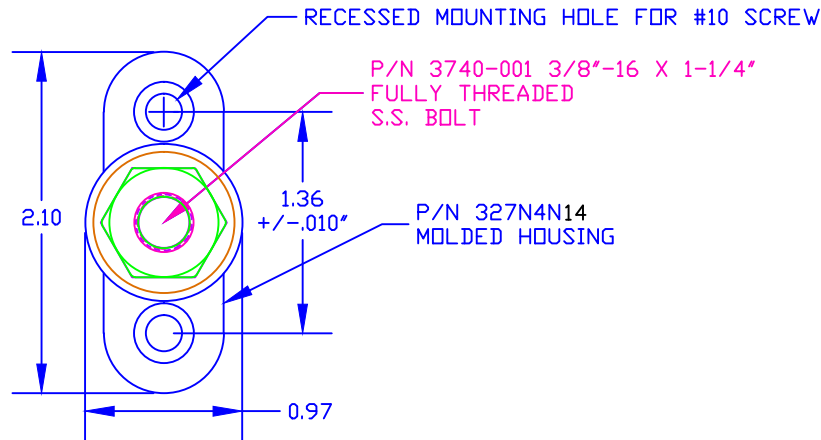


THE INFORMATION CONTAINED IN THIS DRAWING IS THE SOLE PROPERTY OF VTE INCORPORATED. ANY REPRODUCTION IN PART OR WHOLE WITHOUT THE WRITTEN PERMISSION OF VTE INCORPORATED IS PROHIBITED.

LTR.	REVISIONS	DATE	INT.
A	ADDED MATERIAL AND PERFORMANCE NOTES	22JAN04	BRH
B	REVISED PERFORMANCE NOTES	23FEB04	BRH
C	3844-002 WAS 3844	18MAY05	BRH
D	REPLACED (1)-3844-002 WITH (1)-3844-000	01SEP05	BRH



DO NOT SCALE

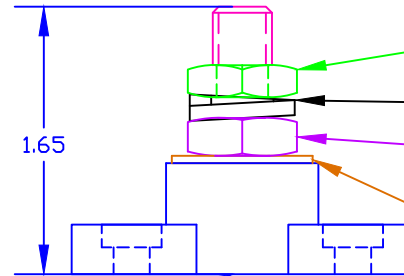
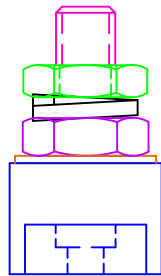
OPTIONAL CONSTRUCTION NOTE:  
COLOR OF BOLT CAVITY PLUG ON BOTTOM OF ASSEMBLY MAY VARY

P/N 3844-000 3/8"-16 HEAVY HEX NUT STAINLESS STEEL 2 PLCS. FACTORY ASSEMBLED TO 15 FT./LBS (180 IN./LBS)

P/N 3638-000 3/8" STAINLESS STEEL SPRING WASHER

P/N 3844-000 3/8"-16 TIN PLATED BRASS HEAVY HEX JAM NUT FACTORY ASSEMBLED TO 15 FT./LBS (180 IN./LBS) (D)


P/N 3646-000 3/8" STAINLESS FLAT WASHER



P/N 329N0V14 CAVITY PLUG

TOLERANCE UNLESS OTHERWISE SPECIFIED: ±0.030"/±0.8mm  
RADIAL DIAMETERS TO BE MEASURED OVER MANDRELS, RING GAGES OR PIN GAGES OF SUITABLE SIZE

BASE MATERIAL: GLASS-REINFORCED NYLON  
 BASE MATERIAL U.L. RATING: 94 HB  
 DIELECTRIC STRENGTH: 630 VOLTS/MIL PER ASTM D149  
 CURRENT RATING: 250 AMPS  
 TEMP. RISE AT LOAD: 46 DEG. F.  
 RECOMMENDED MAXIMUM TORQUE: 12 FT./LBS. (144 IN./LBS.)



VTE Incorporated  
 5437 Robinson Road, P.O. Box 790  
 Pellston, Michigan 49769  
 Telephone: 1-800-527-9256, 231-539-8000  
 FAX: 231-539-0914

REF: ****	DATE: 09APR03	DRN BY: BRH	WEIGHT: ****
CHK'D BY: BRH			
TITLE: 3/8" SMALL JUNCTION POST			SCALE: NONE
MATERIAL: NOTED		PART NO.	
COLOR: BLACK		77037- N14X	
DRG CLASS			