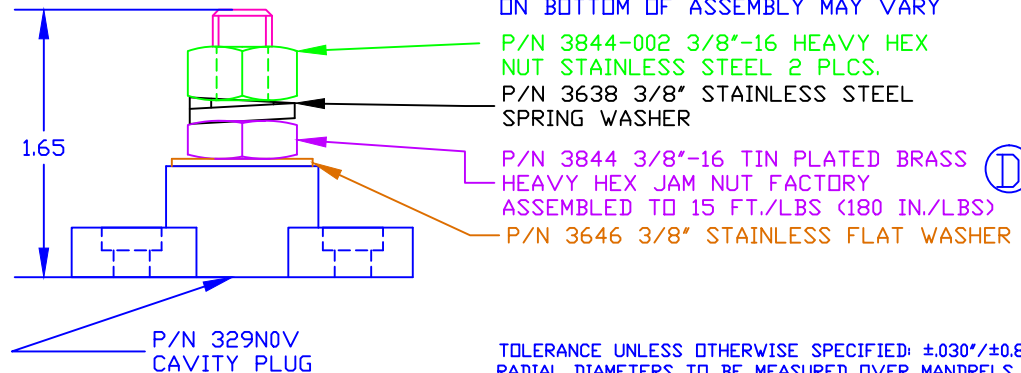
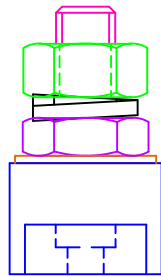
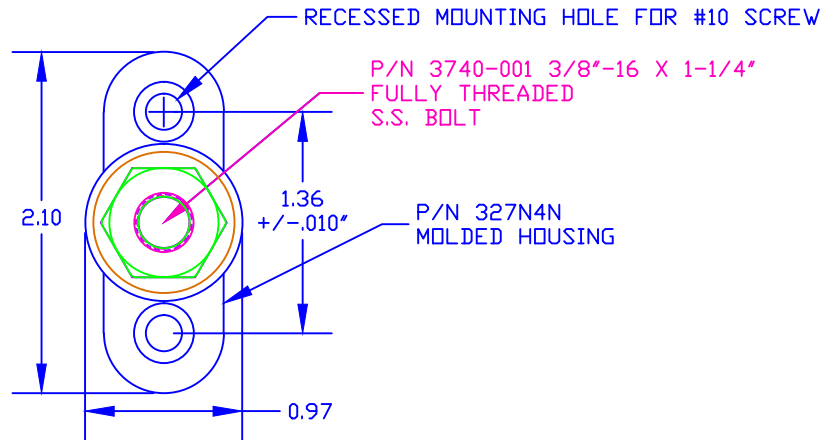


THE INFORMATION CONTAINED IN THIS DRAWING IS THE SOLE PROPERTY OF VTE INCORPORATED. ANY REPRODUCTION IN PART OR WHOLE WITHOUT THE WRITTEN PERMISSION OF VTE INCORPORATED IS PROHIBITED.

LTR.	REVISIONS	DATE
A	ADDED MATERIAL AND PERFORMANCE NOTES	22JAN04
B	REVISED PERFORMANCE NOTES	23FEB04
C	3844-002 WAS 3844	18MAY05
D	REPLACED (1)-3844-002 WITH (1)-3844	01SEP05



DO NOT SCALE

OPTIONAL CONSTRUCTION NOTE:  
COLOR OF BOLT CAVITY PLUG ON BOTTOM OF ASSEMBLY MAY VARY

TOLERANCE UNLESS OTHERWISE SPECIFIED: ±.030"/±0.8mm  
RADIAL DIAMETERS TO BE MEASURED OVER MANDRELS, RING GAGES OR PIN GAGES OF SUITABLE SIZE

Material:  
Material Part No  
Max. Operating Temp:  
Durometer:  
Specific Gravity:  
Ult. Elongation %:  
Modulus PSI:  
Tensile Strength PSI:  
Dielectric Strength, v./ml  
MEETS:

Polypropylene  
Polypropylene Copolymer  
550 F  
110 R-Scale  
1.13  
2.5  
Not Tested  
9500  
Not Tested  
UL94HB



VTE Incorporated  
5437 Robinson Road, P.O. Box 790  
Pellston, Michigan 49769  
Telephone: 1-800-527-9256, 231-539-8000  
FAX: 231-539-0914

REF: *****	DATE: 09APR03	DRN BY: BRH	WEIGHT: *****
TITLE: 3/8" SMALL JUNCTION POST			SCALE: NONE
MATERIAL: NOTED		PART NO.	
COLOR: BLACK	DRG CLASS *****	77037-X P14	