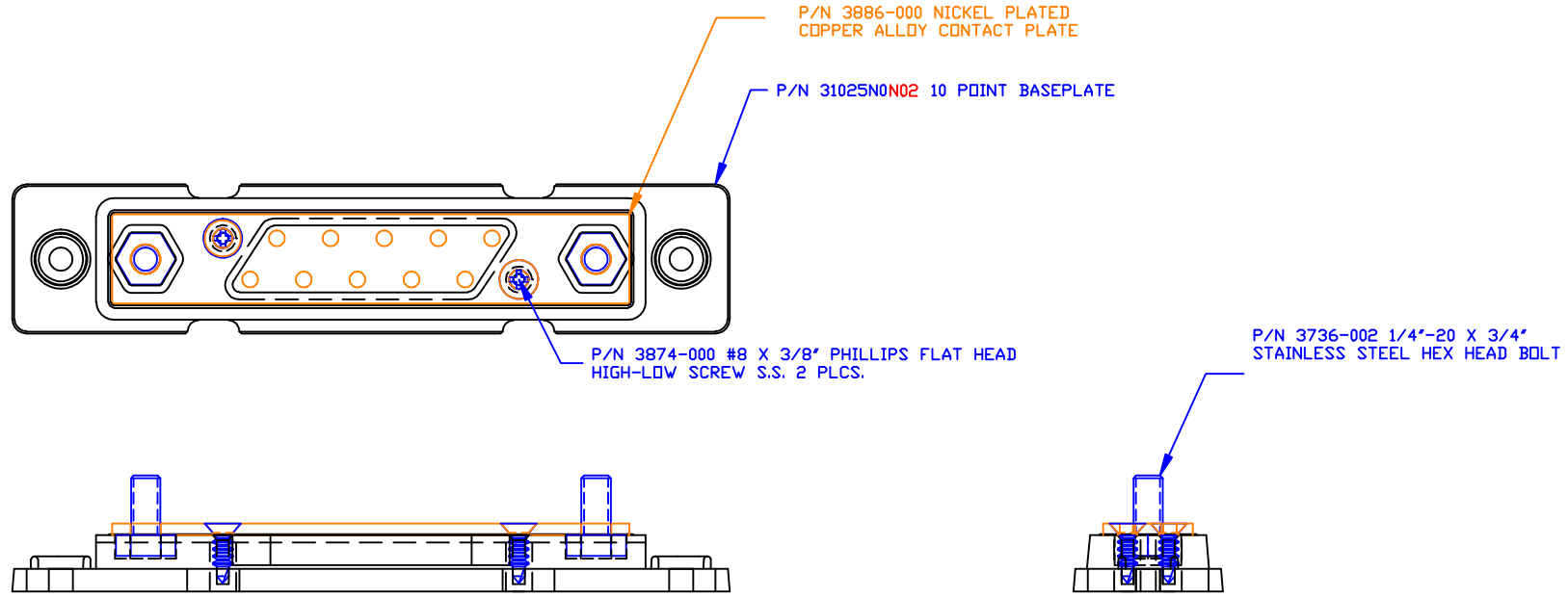


THE INFORMATION CONTAINED IN THIS DRAWING IS THE SOLE PROPERTY OF VTE INCORPORATED. ANY REPRODUCTION IN PART OR WHOLE WITHOUT THE WRITTEN PERMISSION OF VTE INCORPORATED IS PROHIBITED.

LTR.	REVISIONS	DATE
≠	*****	00-000-00

P/N 771025N1 10 POINT BUS STRIP




INCLUDES HARDWARE KIT #7710

BASE MATERIAL:
BASE MATERIAL U.L. RATING:

GLASS-REINFORCED NYLON
94 HB

TOLERANCE UNLESS OTHERWISE SPECIFIED:
MOLDED PRODUCTS ONLY: ±0.030"/±0.8mm
HARDWARE ITEMS: ±0.010"/±0.25mm
RADIAL DIAMETERS TO BE MEASURED OVER MANDRELS,
RING GAGES OR PIN GAGES OF SUITABLE SIZE

		VTE Incorporated 5437 Robinson Road, P.O. Box 790 Pellston, Michigan 49769 Telephone: 1-800-527-9256, 231-539-8000 FAX: 231-539-0914	
		REF: *****	DATE: 27NOV06
TITLE: 10 POINT BUS STRIP WITH 2-1/4" X3/4"POSTS			SCALE:
MATERIAL:		PART NO.	
COLOR: *****	DRG CLASS *****	771025N1 N02	