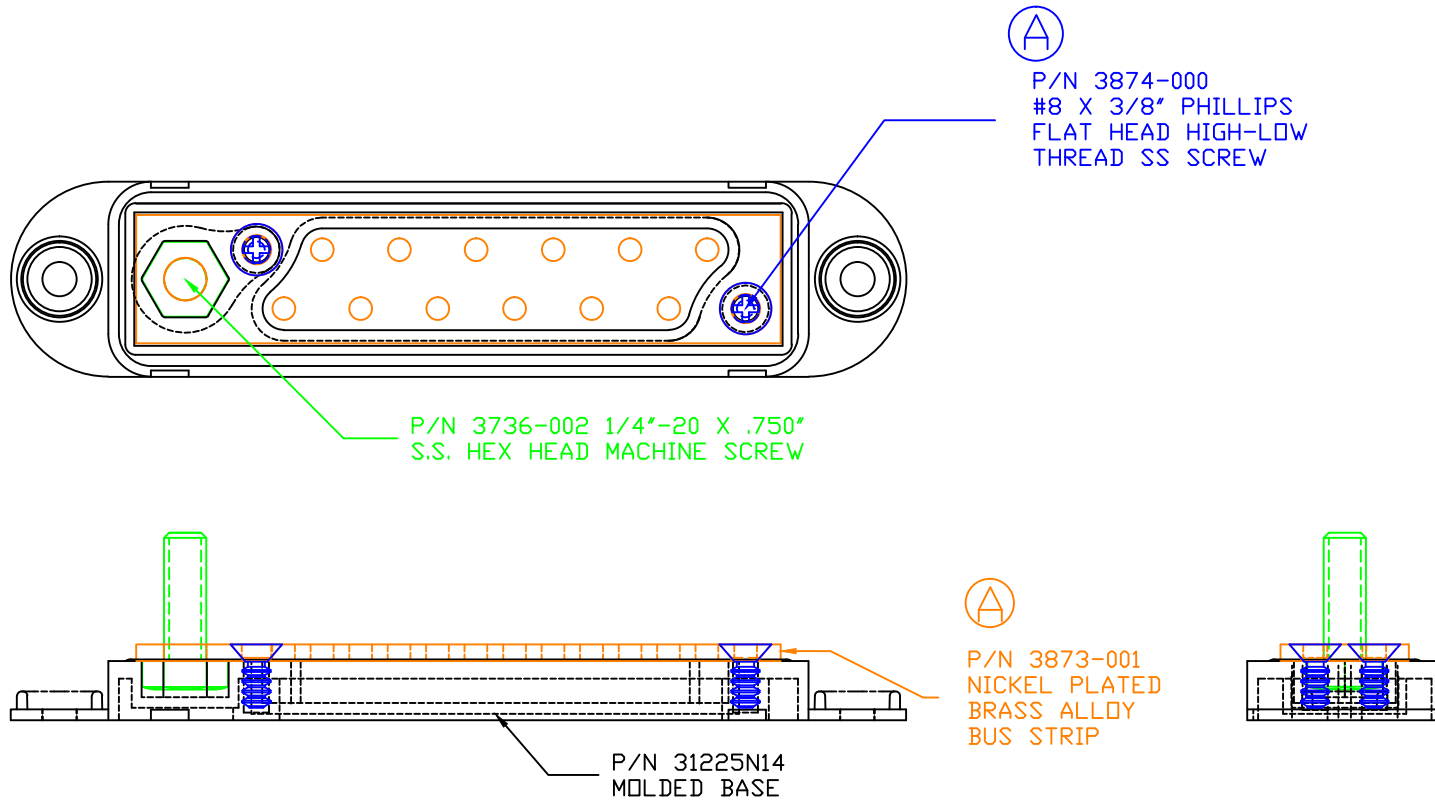


THE INFORMATION CONTAINED IN THIS DRAWING IS THE SOLE PROPERTY OF VTE INCORPORATED. ANY REPRODUCTION IN PART OR WHOLE WITHOUT THE WRITTEN PERMISSION OF VTE INCORPORATED IS PROHIBITED.

| LTR. | REVISIONS | DATE |
|------|--------------------------------------|---------|
| △ | 3874-000 WAS 3872, 3873-001 WAS 3873 | 06OCT06 |




INCLUDES HARDWARE PACKAGE #7711

BASE MATERIAL:
BASE MATERIAL U.L. RATING:

GLASS-REINFORCED NYLON
94 HB

TOLERANCE UNLESS OTHERWISE SPECIFIED: ±.030"/±0.8mm
RADIAL DIAMETERS TO BE MEASURED OVER MANDRELS,
RING GAGES OR PIN GAGES OF SUITABLE SIZE

| | | | |
|---|-----------------|---|---------------|
|  | | VTE Incorporated 5437 Robinson Road, P.O. Box 790 Pellston, Michigan 49769 Telephone: 1-800-527-9256, 231-539-8000 FAX: 231-539-0914 | |
| | | REF: ***** | DATE: 22AUG05 |
| TITLE: 12-POINT TERMINAL STRIP | | | SCALE: |
| MATERIAL: | | PART NO. | |
| COLOR: ***** | DRG CLASS ***** | 7712N1 N14 | |