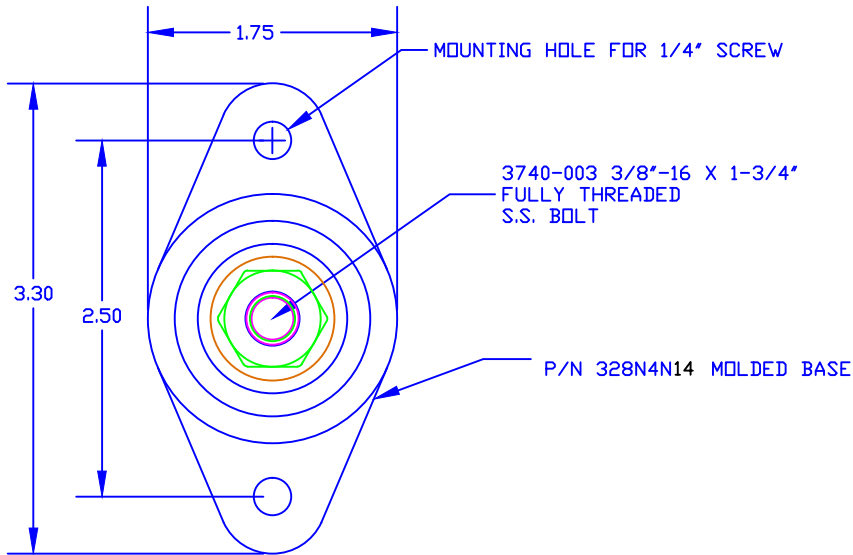
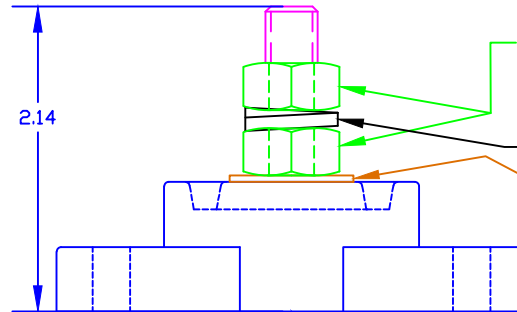
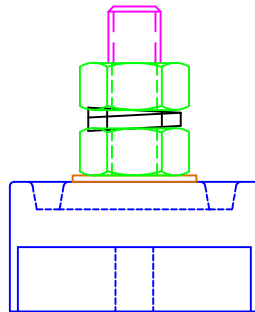


THE INFORMATION CONTAINED IN THIS DRAWING IS THE SOLE PROPERTY OF VTE INCORPORATED. ANY REPRODUCTION IN PART OR WHOLE WITHOUT THE WRITTEN PERMISSION OF VTE INCORPORATED IS PROHIBITED.

LTR.	REVISIONS	DATE	INT.
A	3844-002 WAS 3844	18MAY05	BRH
B	REMOVED OPTIONAL CONSTRUCTION NOTE	21OCT15	RAS
C	REPLACED P/N 3844-003 WITH P/N 3844-009	14APR16	RAS



DO NOT SCALE



- ⊖ P/N 3844-009 3/8"-16 HEAVY HEX NUT STAINLESS STEEL 2 PLCS. BOTTOM NUT FACTORY ASSEMBLED TO 15 FT./LBS. (180 IN./LBS.)
- P/N 3638 STAINLESS STEEL SPRING WASHER
- P/N 3646-000 3/8" STAINLESS FLAT WASHER

P/N 329N0V14 CAVITY PLUG (NOT SHOWN)

TOLERANCE UNLESS OTHERWISE SPECIFIED: ±0.030"/±0.8mm
 RADIAL DIAMETERS TO BE MEASURED OVER MANDRELS,
 RING GAGES OR PIN GAGES OF SUITABLE SIZE

BASE MATERIAL: GLASS-REINFORCED NYLON
 BASE MATERIAL U.L. RATING: 94 HB
 DIELECTRIC STRENGTH: 630 VOLTS/MIL PER ASTM D149
 CURRENT RATING: 165 AMPS
 TEMP. RISE AT LOAD: 52 DEG. F.
 BREAKOUT TORQUE: 22 FT./LBS. (264 IN./LBS.)
 RECOMMENDED MAXIMUM TORQUE: 12 FT./LBS. (144 IN./LBS.)

VTE Incorporated
 5437 Robinson Road, P.O. Box 790
 Pellston, Michigan 49769
 Telephone: 1-800-527-9256, 231-539-8000
 FAX: 231-539-0914

REF: ***	DATE: 09APR03	DRN BY: BRH	WEIGHT: ***
TITLE: 3/8" POWER DISTRIBUTION STUD			SCALE:
MATERIAL:		PART NO.	
COLOR:	DRG CLASS: ***	77137-X N14	