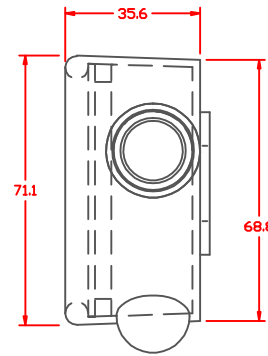
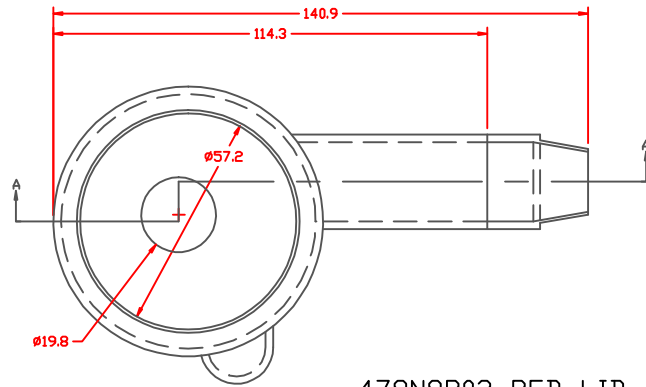


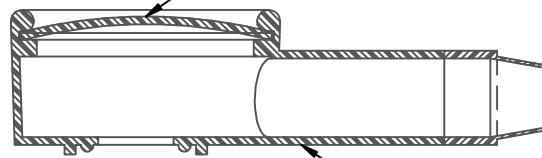
THE INFORMATION CONTAINED IN THIS DRAWING IS THE SOLE PROPERTY OF VTE INCORPORATED. ANY REPRODUCTION IN PART OR WHOLE WITHOUT THE WRITTEN PERMISSION OF VTE INCORPORATED IS PROHIBITED.

LTR.	REVISIONS	DATE
≠	*****	00-00-98

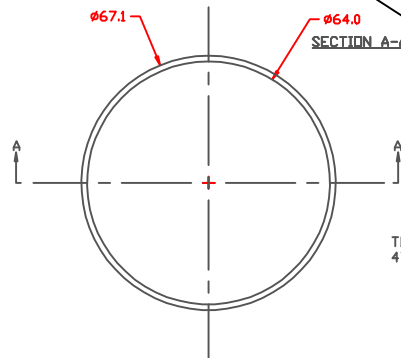
TYP. WALL THICKNESS = 2.0
TYP. RADIUS = 2.0



479N9P02 RED LID
(SHOWN INSTALLED)



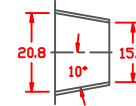
476N8V02 RED BASE



TO BE USED WITH VTE
476 & 480 SERIES



SEAL
SEAL THICKNESS = .8



Cable Gages
2/0 - 4/0

TOLERANCE UNLESS OTHERWISE SPECIFIED: ±.030"/±0.8mm
RADIAL DIAMETERS TO BE MEASURED OVER MANDRELS,
RING GAGES OR PIN GAGES OF SUITABLE SIZE

BASE HOUSING MATERIAL:
LID MATERIAL:

RED PVC
RED POLYPROPYLENE



VTE Incorporated
5437 Robinson Road, P.O. Box 790
Pellston, Michigan 49769
Telephone: 1-800-527-9256, 231-539-8000
FAX: 231-539-0914

REF: *****	DATE: 15JUL04	DRN BY: BRH	WEIGHT: *****
TITLE: BATTERY TERMINAL INSULATOR		CHK'D BY: BRH	SCALE: NOTED
MATERIAL: NOTED		PART NO. 776N802	
COLOR: NOTED	DRG CLASS *****		