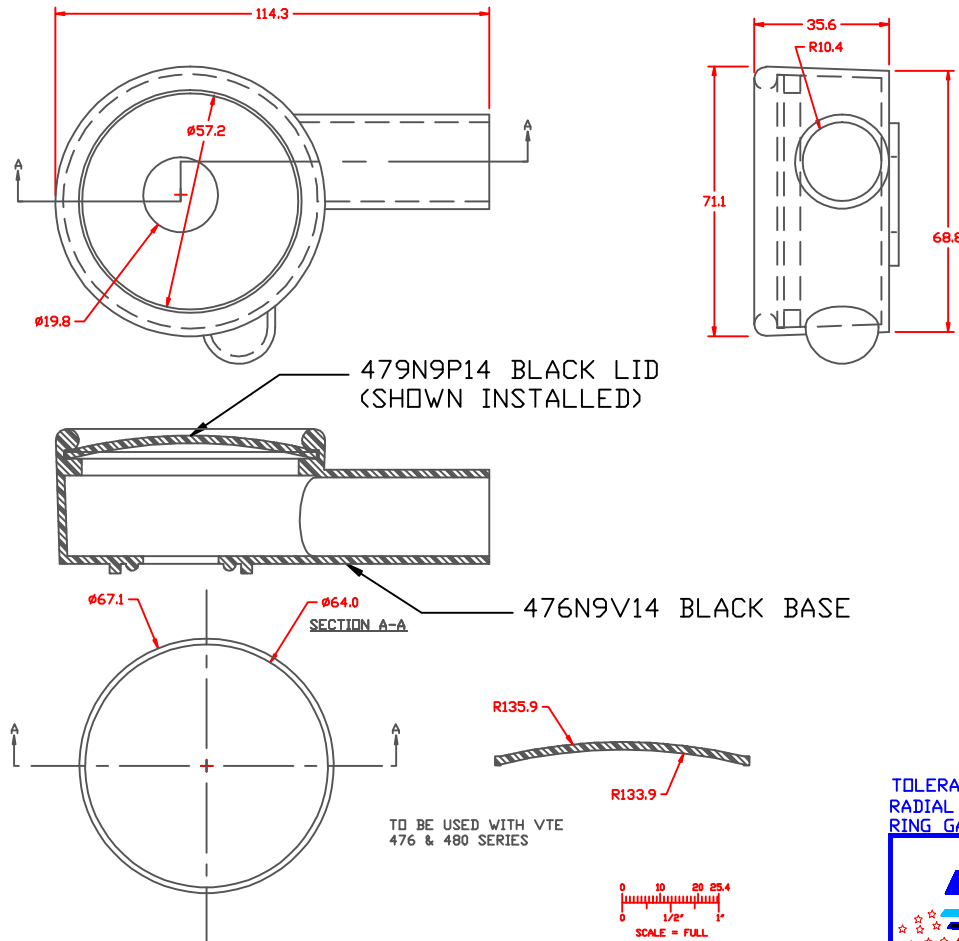


THE INFORMATION CONTAINED IN THIS DRAWING IS THE SOLE PROPERTY OF VTE INCORPORATED. ANY REPRODUCTION IN PART OR WHOLE WITHOUT THE WRITTEN PERMISSION OF VTE INCORPORATED IS PROHIBITED.

LTR.	REVISIONS	DATE
≠	*****	00-00-98

TYP. WALL THICKNESS = 2.0
TYP. RADIUS = 2.0



BASE HOUSING MATERIAL:
LID MATERIAL:

BLACK PVC
BLACK POLYPROPYLENE

TOLERANCE UNLESS OTHERWISE SPECIFIED: $\pm 0.30"/\pm 0.8\text{mm}$
RADIAL DIAMETERS TO BE MEASURED OVER MANDRELS,
RING GAGES OR PIN GAGES OF SUITABLE SIZE



VTE Incorporated
5437 Robinson Road, P.O. Box 790
Pellston, Michigan 49769
Telephone: 1-800-527-9256, 231-539-8000
FAX: 231-539-0914

REF: *****	DATE: 15JUL04	DRN BY: BRH	WEIGHT: *****
TITLE: BATTERY TERMINAL INSULATOR		CHK'D BY: BRH	SCALE: NOTED
MATERIAL: NOTED		PART NO. 776N914	
COLOR: NOTED	DRG CLASS *****		