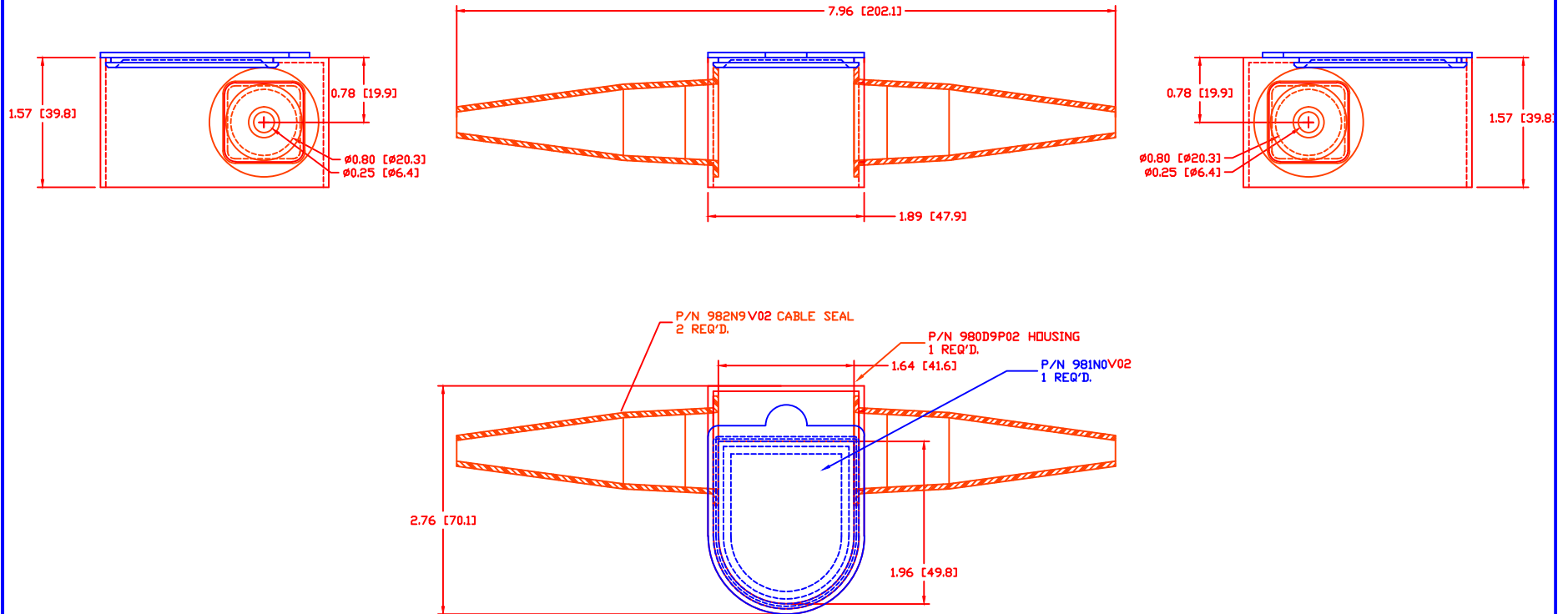


THE INFORMATION CONTAINED IN THIS DRAWING IS THE SOLE PROPERTY OF VTE INCORPORATED. ANY REPRODUCTION IN PART OR WHOLE WITHOUT THE WRITTEN PERMISSION OF VTE INCORPORATED IS PROHIBITED.

| LTR. | REVISIONS | DATE     |
|------|-----------|----------|
| ≠    | *****     | 00-00-98 |



Housing Material:  
VTE Material Part No:  
Durometer:  
Specific Gravity:  
Ult. Elongation %:  
Tensile Strength PSI:


Polypropylene  
1209750302  
110 R-Scale  
1.13  
2.5  
9500  
UL94HB

Cable Seal Material:  
VTE Material Part No:  
Shore Durometer

RED PVC  
1101650102  
"A" 10 SEC. 67/62

U.L. Rating:

94 V2

|   |                 |   |                |
|---|-----------------|---|----------------|
|  |                 | <b>VTE Incorporated</b><br>5437 Robinson Road, P.O. Box 790<br>Pellston, Michigan 49769<br>Telephone: 1-800-527-9256, 231-539-8000<br>FAX: 231-539-0914 |                |
|   |                 | REF: *****  | DATE: 04-10-01 |
| TITLE: "L-POST" POTTING SHELL   |                 |   | SCALE:         |
| MATERIAL: NOTED   |                 | PART NO.  |                |
| COLOR: *****  | DRG CLASS ***** | 798D9P02  |                |