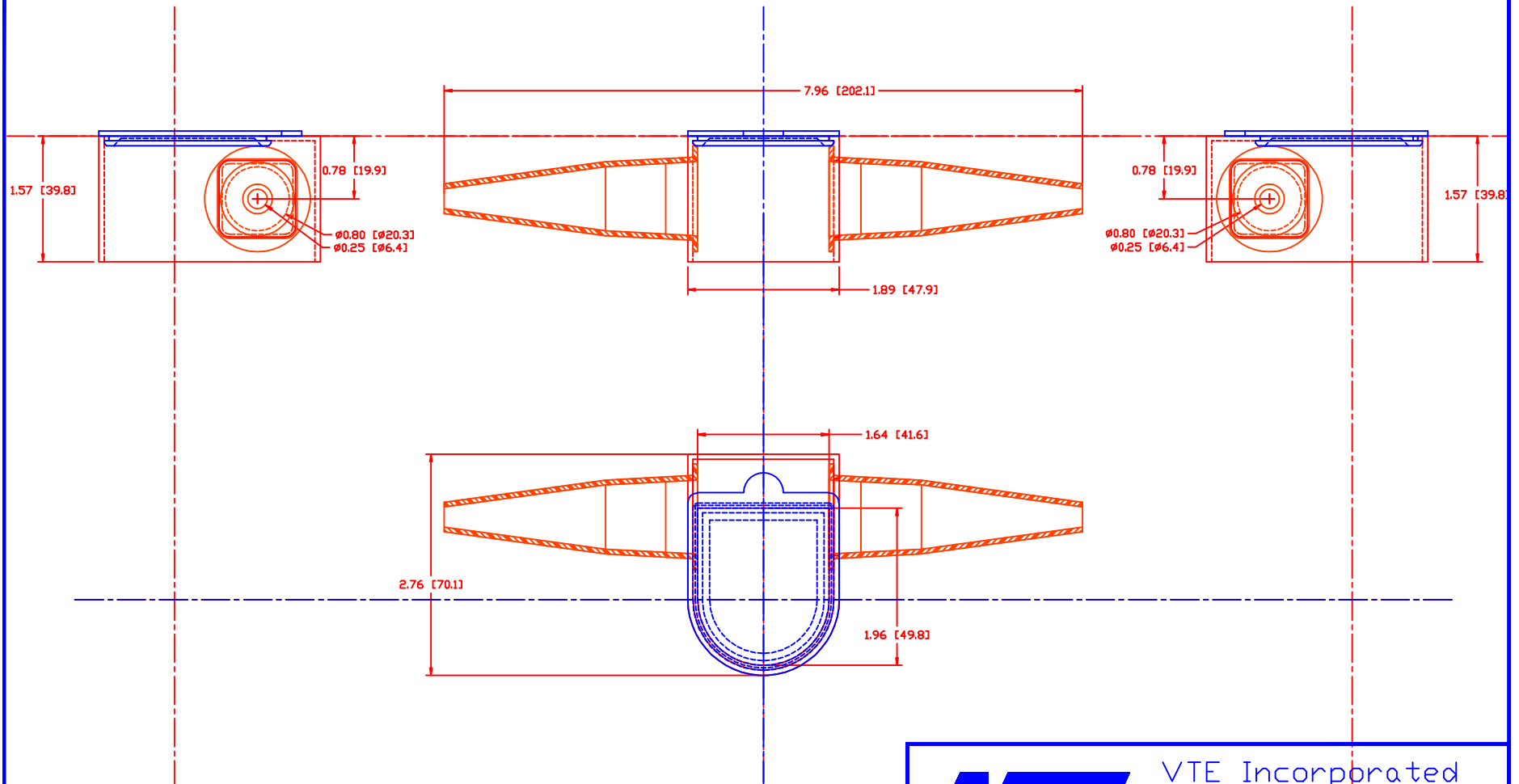



THE INFORMATION CONTAINED IN THIS DRAWING IS THE SOLE PROPERTY OF VTE INCORPORATED. ANY REPRODUCTION IN PART OR WHOLE WITHOUT THE WRITTEN PERMISSION OF VTE INCORPORATED IS PROHIBITED.

LTR.	REVISIONS	DATE
≠	*****	00-00-98



MATERIALS:  
 HOUSING: **MATERIAL: HALOGEN FREE, FIRE RETARDANT THERMOPLASTIC OLEFIN**  
 LID AND CABLE SEAL: RED PVC  
 9812-65-RED683



**VTE Incorporated**  
 5437 Robinson Road, P.O. Box 790  
 Pellston, Michigan 49769  
 Telephone: 1-800-527-9256, 231-539-8000  
 FAX: 231-539-0914

REF: *****	DATE: 04-10-01	DRN BY: BRH	WEIGHT: *****
TITLE: "L-POST" POTTING SHELL			SCALE:
MATERIAL: NOTED		PART NO.	
COLOR: *****	DRG CLASS *****	798D9V02	