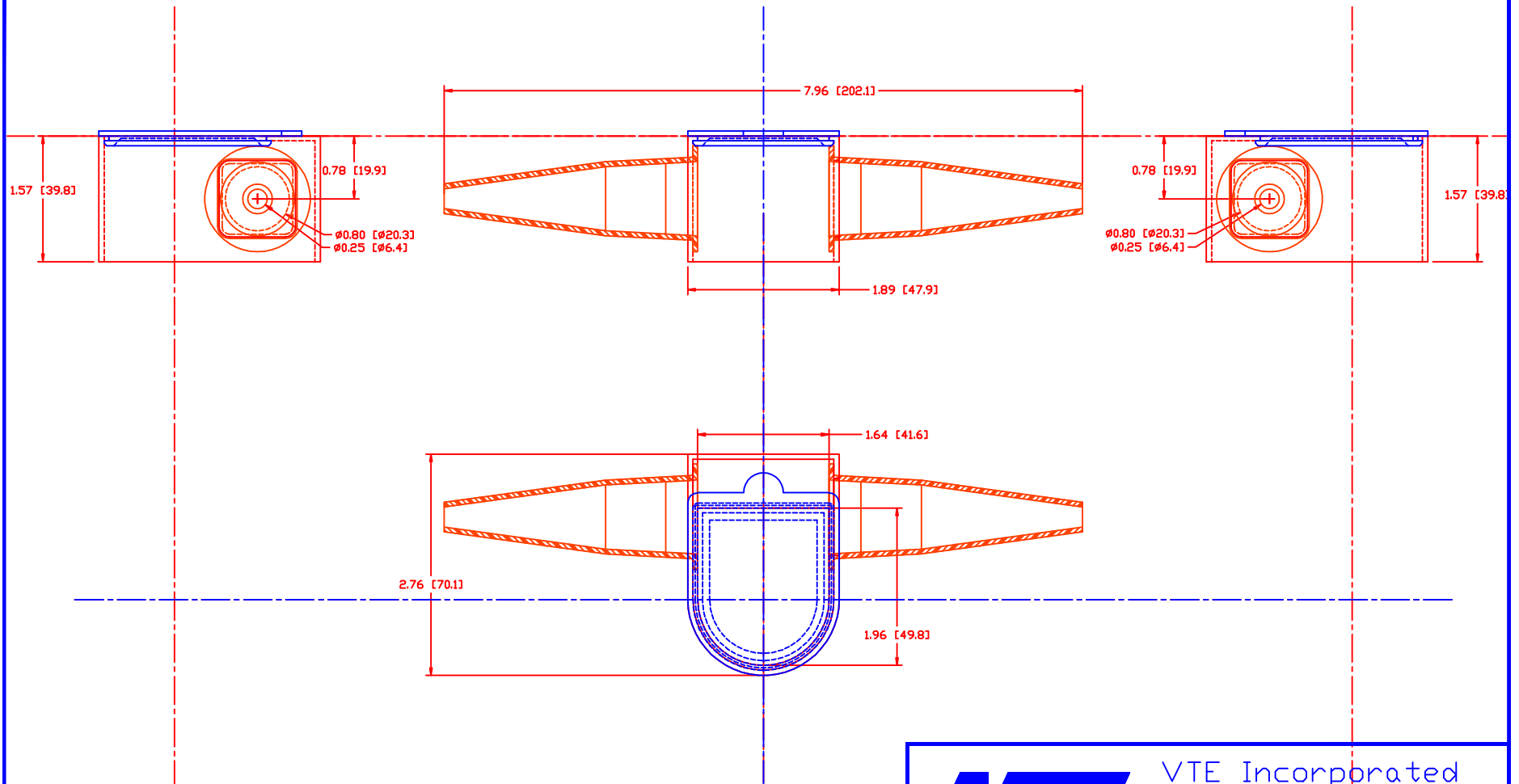



THE INFORMATION CONTAINED IN THIS DRAWING IS THE SOLE PROPERTY OF VTE INCORPORATED. ANY REPRODUCTION IN PART OR WHOLE WITHOUT THE WRITTEN PERMISSION OF VTE INCORPORATED IS PROHIBITED.

LTR.	REVISIONS	DATE
≠	*****	00-00-98



MATERIALS:
 HOUSING: HALOGEN FREE, FIRE RETARDANT THERMOPLASTIC OLEFIN
 LID AND CABLE SEAL: BLACK PVC
 9812-65

		VTE Incorporated 5437 Robinson Road, P.O. Box 790 Pellston, Michigan 49769 Telephone: 1-800-527-9256, 231-539-8000 FAX: 231-539-0914	
		REF: *****	DATE: 04-10-01
TITLE: "L-POST" POTTING SHELL			SCALE:
MATERIAL: NOTED		PART NO.	
COLOR: *****	DRG CLASS *****	798D9 V14	