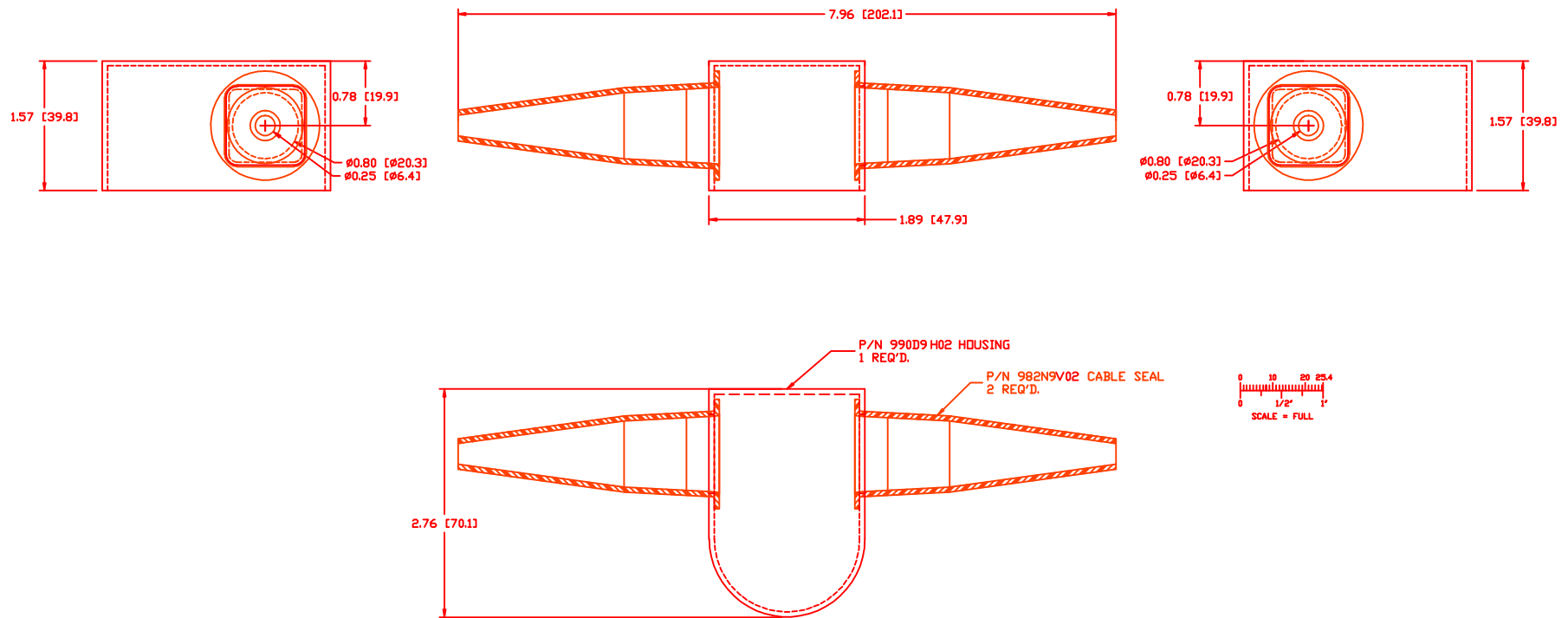



THE INFORMATION CONTAINED IN THIS DRAWING IS THE SOLE PROPERTY OF VTE INCORPORATED. ANY REPRODUCTION IN PART OR WHOLE WITHOUT THE WRITTEN PERMISSION OF VTE INCORPORATED IS PROHIBITED.

LTR.	REVISIONS	DATE
≠	*****	00-00-98



MATERIALS:
 HOUSING: **MATERIAL: HALOGEN FREE, FIRE RETARDANT THERMOPLASTIC OLEFIN**
 LID AND CABLE SEAL: RED PVC
 9812-65-RED683

		VTE Incorporated 5437 Robinson Road, P.O. Box 790 Pellston, Michigan 49769 Telephone: 1-800-527-9256, 231-539-8000 FAX: 231-539-0914	
		REF: *****	DATE: 10JUL07
TITLE: "L-POST" DUAL CABLE SHELL			SCALE:
MATERIAL: NOTED		PART NO.	
COLOR: *****	DRG CLASS *****	799D9H02	