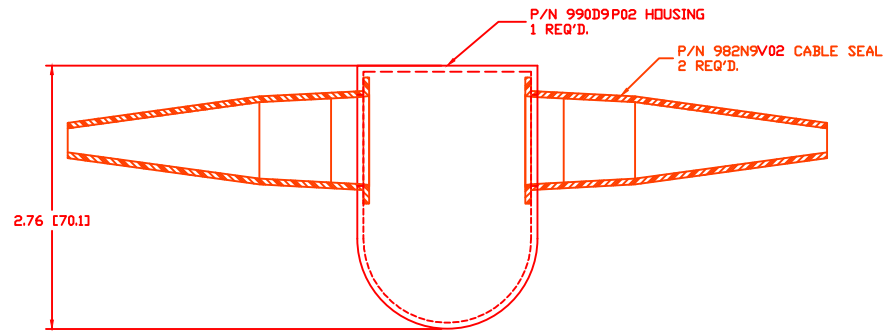
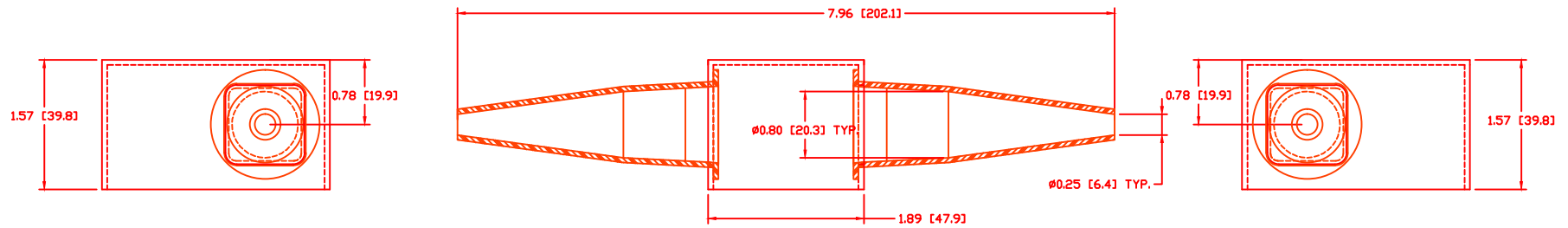


THE INFORMATION CONTAINED IN THIS DRAWING IS THE SOLE PROPERTY OF VTE INCORPORATED. ANY REPRODUCTION IN PART OR WHOLE WITHOUT THE WRITTEN PERMISSION OF VTE INCORPORATED IS PROHIBITED.

LTR.	REVISIONS	DATE
≠	*****	00-00-98



Housing Material:
 VTE Material Part No:
 Durometer:
 Specific Gravity:
 Ult. Elongation %:
 Tensile Strength PSI:
 Meets:


Polypropylene
 1209750302
 110 R-Scale
 1.13
 2.5
 9500
 UL94HB

Cable Seal Material:
 VTE Material Part No:
 Shore Durometer

RED PVC
 1101650102
 "A" 10 SEC. 67/62

U.L. Rating:

94 V2

		VTE Incorporated 5437 Robinson Road, P.O. Box 790 Pellston, Michigan 49769 Telephone: 1-800-527-9256, 231-539-8000 FAX: 231-539-0914	
		REF: *****	DATE: 10JUL07
TITLE: "L-POST" DUAL CABLE SHELL			SCALE:
MATERIAL: NOTED		PART NO.	
COLOR: *****	DRG CLASS *****	799D9P02	