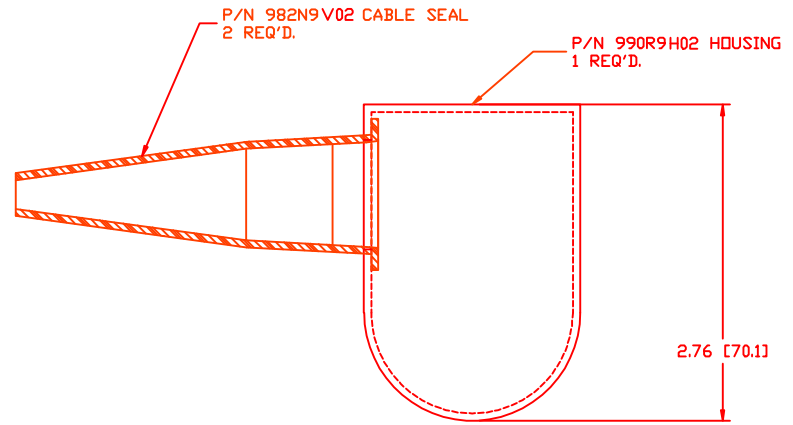
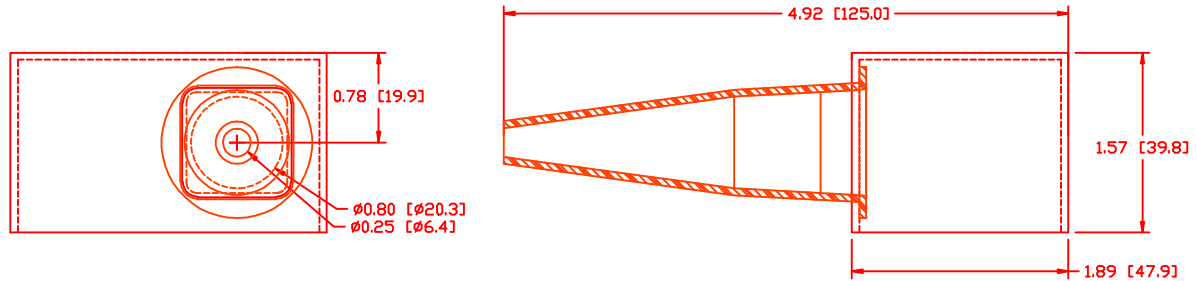


THE INFORMATION CONTAINED IN THIS DRAWING IS THE SOLE PROPERTY OF VTE INCORPORATED. ANY REPRODUCTION IN PART OR WHOLE WITHOUT THE WRITTEN PERMISSION OF VTE INCORPORATED IS PROHIBITED.

LTR.	REVISIONS	DATE
≠	*****	00-00-98



MATERIALS:
 HOUSING: **MATERIAL: HALOGEN FREE, FIRE RETARDANT THERMOPLASTIC OLEFIN**
 LID AND CABLE SEAL: RED PVC
 9812-65-RED683



VTE Incorporated
 5437 Robinson Road, P.O. Box 790
 Pellston, Michigan 49769
 Telephone: 1-800-527-9256, 231-539-8000
 FAX: 231-539-0914

REF: *****	DATE: 10JUL07	DRN BY: BRH	WEIGHT: *****
TITLE: "L-POST" RIGHT CABLE SHELL			SCALE:
MATERIAL: NOTED		PART NO. 799R9H02	
COLOR: *****	DRG CLASS *****		