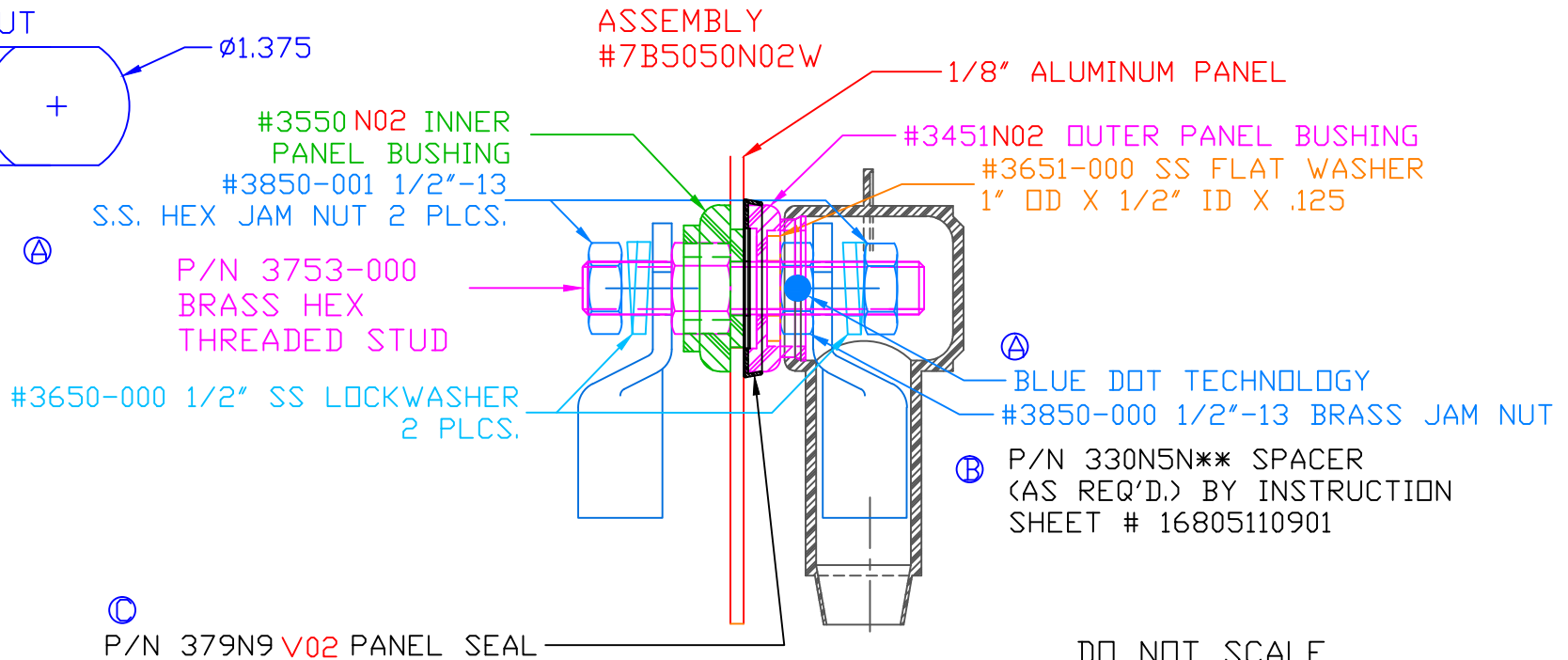
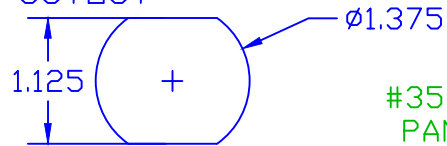


THE INFORMATION CONTAINED IN THIS DRAWING IS THE SOLE PROPERTY OF VTE INCORPORATED. ANY REPRODUCTION IN PART OR WHOLE WITHOUT THE WRITTEN PERMISSION OF VTE INCORPORATED IS PROHIBITED.

LTR.	REVISIONS	DATE
A	3850-000 WAS 3850, 3850-001 ADDED 2 PLCS.	02MAR07
B	ADDED CALLOUT FOR SPACER AND INSTRUCTION SHEET	01MAY07
C	ADDED CALLOUT FOR P/N 379 PANEL SEAL	13FEB08
D	REVISED TORQUE RECOMMENDATIONS	08JUN10

VTE MAKES NO WARRANTY, EXPRESSED OR IMPLIED, AS TO THE SUITABILITY OF A PRODUCT FOR ANY INTENDED USE. THE CUSTOMER SHALL BEAR THE SOLE RESPONSIBILITY OF DETERMINING THE SUITABILITY OF ANY VTE PRODUCT FOR ITS END USE.

USE GREENLEE  
PUNCH ASSEMBLY  
#60098 FOR PANEL  
CUTOUT



DO NOT SCALE

TOLERANCE UNLESS OTHERWISE SPECIFIED: ±0.30\*/±0.8mm  
RADIAL DIAMETERS TO BE MEASURED OVER MANDRELS,  
RING GAGES OR PIN GAGES OF SUITABLE SIZE

INCLUDES P-16808110001 BLUE DOT MULTI LABEL, 1 PER CONTAINER

**MAXIMUM AMPERAGE: 500 AMPS @ 12VDC**

MAXIMUM RECOMMENDED FASTENER TORQUE:  
BRASS JAM NUT: 240 IN./LBS.  
S.S. JAM NUT: 180 IN./LBS.

BASE MATERIAL: GLASS-REINFORCED NYLON  
BASE MATERIAL U.L. RATING: 94 HB  
INCLUDES: (1) 232E4V02 WEATHERPROOFING TERMINAL COVER

ITEMS SHOWN FOR ILLUSTRATIVE  
PURPOSE, NOT INCLUDED:

4/0 GA. TERMINAL LUGS (2 PLACES)



VTE Incorporated  
5437 Robinson Road, P.O. Box 790  
Pellston, Michigan 49769  
Telephone: 1-800-527-9256, 231-539-8000  
FAX: 231-539-0914

REF:	DATE:	DRN BY:	BRH	WEIGHT:
***	02JAN03	CHK'D BY:	BRH	***
TITLE: POWER BUSHING 1/2" STUD 1/8" MAX PANEL WEATHERPROOF				SCALE:
MATERIAL:			PART NO.	
COLOR: RED	DRG CLASS	***	7B5050N02W	