

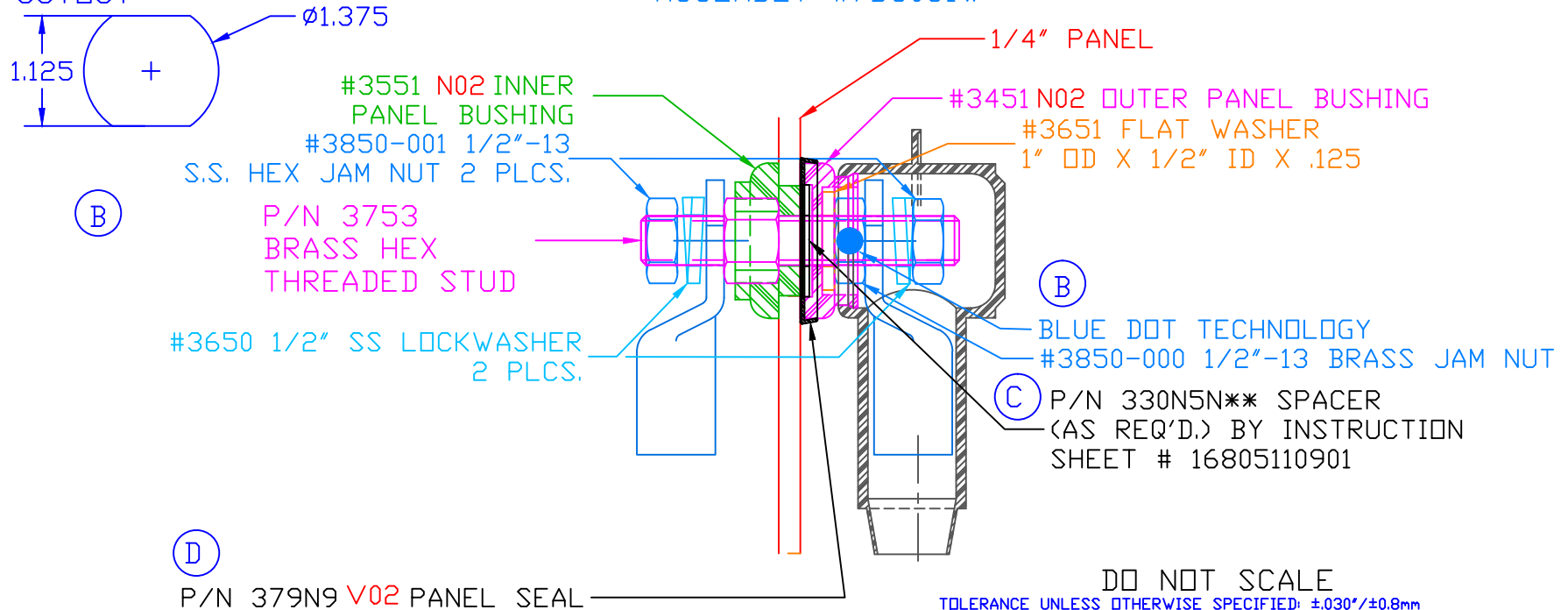
THE INFORMATION CONTAINED IN THIS DRAWING IS THE SOLE PROPERTY OF VTE INCORPORATED. ANY REPRODUCTION IN PART OR WHOLE WITHOUT THE WRITTEN PERMISSION OF VTE INCORPORATED IS PROHIBITED.

VTE MAKES NO WARRANTY, EXPRESSED OR IMPLIED, AS TO THE SUITABILITY OF A PRODUCT FOR ANY INTENDED USE. THE CUSTOMER SHALL BEAR THE SOLE RESPONSIBILITY OF DETERMINING THE SUITABILITY OF ANY VTE PRODUCT FOR ITS END USE.

LTR.	REVISIONS	DATE
A	ADDED #3652 AND #3653	24JAN03
B	3850-000 WAS 3850, 3850-001 ADDED 2 PLCS.	02MAR
C	ADDED CALLOUT FOR SPACER AND INSTRUCTION SHEET	01MAY07
D	ADDED CALLOUT FOR P/N 379 PANEL SEAL	13FEB08
E	REVISED TORQUE RECOMMENDATIONS	08JUN10

USE GREENLEE
PUNCH ASSEMBLY
#60098 FOR PANEL
CUTOUT

ASSEMBLY #7B5051W



DO NOT SCALE

TOLERANCE UNLESS OTHERWISE SPECIFIED: ±0.30%/±0.8mm
RADIAL DIAMETERS TO BE MEASURED OVER MANDRELS,
RING GAGES OR PIN GAGES OF SUITABLE SIZE

INCLUDES P-16808110001 BLUE DOT MULTI LABEL, 1 PER CONTAINER

MAXIMUM AMPERAGE: 500 AMPS @ 12VDC

MAXIMUM RECOMMENDED FASTENER TORQUE:
BRASS JAM NUT: 240 IN./LBS.
S.S. JAM NUT: 180 IN./LBS.
GLASS-REINFORCED NYLON
INCLUDES: 232E4V02 WEATHERPROOFING TERMINAL COVER

BASE MATERIAL:
BASE MATERIAL U.L. RATING: 94 HB
ITEMS SHOWN FOR ILLUSTRATIVE
PURPOSE, NOT INCLUDED:

4/0 GA. TERMINAL LUGS (2 PLACES)

VTE Incorporated
5437 Robinson Road, P.O. Box 790
Pellston, Michigan 49769
Telephone: 1-800-527-9256, 231-539-8000
FAX: 231-539-0914

REF: *****	DATE: 02JAN03	DRN BY: BRH	WEIGHT: *****
		CHK'D BY: BRH	
TITLE: POWER BUSHING 1/2" STUD 1/4" MAX PANEL WEATHERPROOF			SCALE:
MATERIAL:		PART NO.	
COLOR: RED	DRG CLASS *****	7B5051N02W	