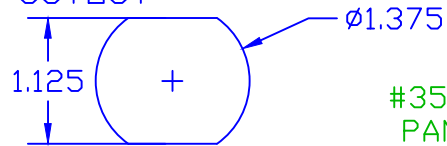


THE INFORMATION CONTAINED IN THIS DRAWING IS THE SOLE PROPERTY OF VTE INCORPORATED. ANY REPRODUCTION IN PART OR WHOLE WITHOUT THE WRITTEN PERMISSION OF VTE INCORPORATED IS PROHIBITED.

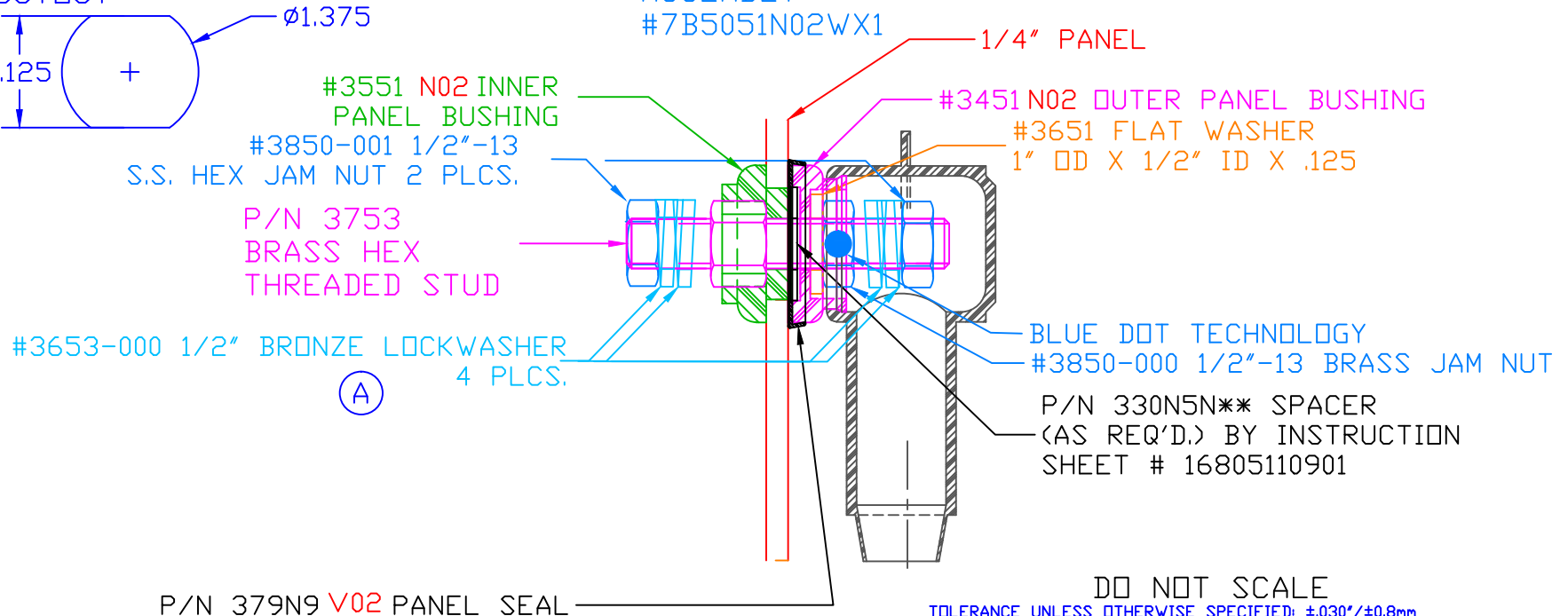
LTR.	REVISIONS	DATE
⌋	8653-000 4 PLCS, WAS 2 PLCS	15SEP11

VTE MAKES NO WARRANTY, EXPRESSED OR IMPLIED, AS TO THE SUITABILITY OF A PRODUCT FOR ANY INTENDED USE. THE CUSTOMER SHALL BEAR THE SOLE RESPONSIBILITY OF DETERMINING THE SUITABILITY OF ANY VTE PRODUCT FOR ITS END USE.

USE GREENLEE
PUNCH ASSEMBLY
#60098 FOR PANEL
CUTOUT



ASSEMBLY
#7B5051N02WX1



DO NOT SCALE

TOLERANCE UNLESS OTHERWISE SPECIFIED: ±0.30%/±0.8mm
RADIAL DIAMETERS TO BE MEASURED OVER MANDRELS,
RING GAGES OR PIN GAGES OF SUITABLE SIZE

INCLUDES P-16808110001 BLUE DOT MULTI LABEL, 1 PER CONTAINER

MAXIMUM AMPERAGE: 500 AMPS @ 12VDC

MAXIMUM RECOMMENDED FASTENER TORQUE:
BRASS JAM NUT: 240 IN./LBS.
S.S. JAM NUT: 180 IN./LBS.

INCLUDES: 232E4V02 WEATHERPROOFING TERMINAL COVER

BASE MATERIAL: GLASS-REINFORCED NYLON
BASE MATERIAL U.L. RATING: 94 HB
ITEMS SHOWN FOR ILLUSTRATIVE PURPOSE, NOT INCLUDED:

4/0 GA. TERMINAL LUGS (2 PLACES)

	VTE Incorporated 5437 Robinson Road, P.O. Box 790 Pellston, Michigan 49769 Telephone: 1-800-527-9256, 231-539-8000 FAX: 231-539-0914	
---	---	--

REF: *****	DATE: 22DEC10	DRN BY: BRH	WEIGHT: *****
TITLE: POWER BUSHING 1/2" STUD 1/4" MAX PANEL WEATHERPROOF SPECIAL FOR MODINE		CHK'D BY: BRH	SCALE:
MATERIAL:		PART NO.	
COLOR: RED	DRG CLASS *****	7B5051N02WX1	