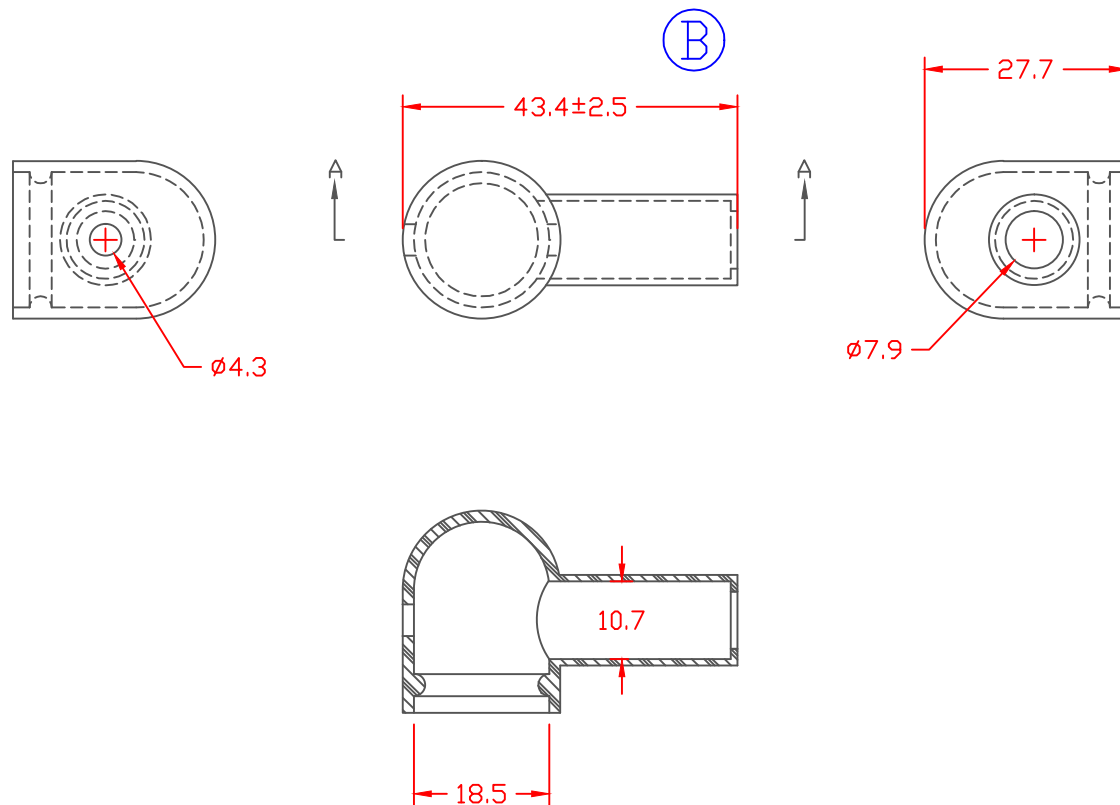


PROPRIETARY RIGHTS ARE CLAIMED FOR THE MATERIAL DISCLOSED IN THIS DRAWING.

TYP. WALL THICKNESS = 1.5

| | | |
|------|-------------------------------------|-----------|
| LTR. | REVISIONS | DATE |
| ⌒ | MATERIAL NOTES REVISED | 07-MAY-02 |
| B | REVISED TO AGREE WITH PARTS AS MFG. | 04-APR-03 |



SECTION A-A


TOLERANCE UNLESS OTHERWISE SPECIFIED: $\pm 0.30"/\pm 0.8\text{mm}$
 RADIAL DIAMETERS TO BE MEASURED OVER MANDRELS,
 RING GAGES OR PIN GAGES OF SUITABLE SIZE

VTE Material Part No:
 Material:
 Material Part No:
 Max. Operating Temp:
 Shore Durometer
 Specific Gravity:
 Ult. Elongation %:
 Brittle Temp:
 Tensile Strength PSI:
 Dielectric Strength, v./ml
 U.L. Rating:
 MEETS:

1101650109
 BLUE PVC
 05-916R
 105 C
 "A" 65
 1.27
 325

 1500 PSI



| | | | |
|---|--------|---|---------|
|  | | VTE Incorporated 5437 Robinson Road, P.O. Box 790 Pellston, Michigan 49769 Telephone: 1-800-527-9256, 231-539-8000 FAX: 231-539-0914 | |
| | | REF: | DATE: |
| | 4-8-98 | CHK'D BY: | 4 grams |
| TITLE: ALTERNATOR BOOT | | | |
| MATERIAL: | | PART NO. | |
| COLOR: | | 800X8V09 | |
| DRG CLASS | | | |