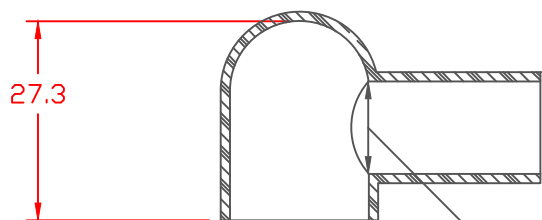
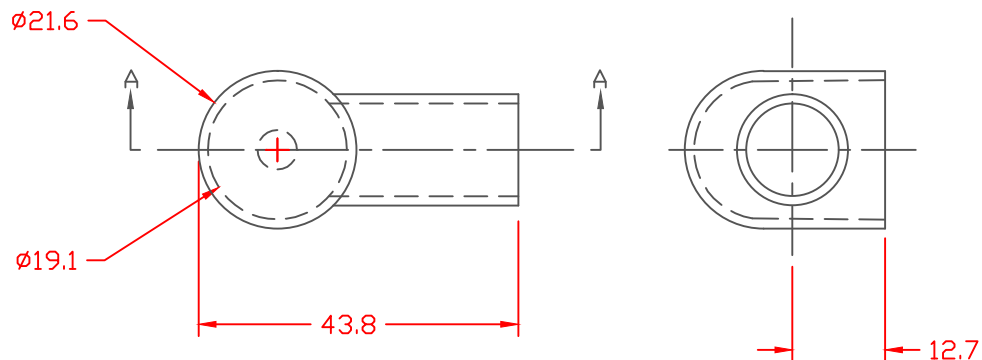


PROPRIETARY RIGHTS ARE CLAIMED FOR THE MATERIAL DISCLOSED IN THIS DRAWING.

LTR.	REVISIONS	DATE
A	ADDED MAXIMUM WALL THICKNESS DIMENSION	20APR06
B	ADDED TOLERANCE NOTE FOR DIA.	20APR06

THIS PRODUCT MEETS THE REQUIRMENTS OF M&G ELECTRONICS PART NUMBER 310105008



(A)

$1.27^{+0.00}_{-0.25}$ [$0.05^{+0.000}_{-0.010}$]

SECTION A-A

(B)


$12.70^{+0.25}_{-0.00}$ [$0.5^{+0.01}_{-0.00}$]

TOLERANCE UNLESS OTHERWISE SPECIFIED: $\pm 0.30^{\circ}/\pm 0.8\text{mm}$
 RADIAL DIAMETERS TO BE MEASURED OVER MANDRELS,
 RING GAGES OR PIN GAGES OF SUITABLE SIZE

Material: RED PVC
 Material Part No: 9812-65-RED683
 Max. Operating Temp: 105 C
 Shore Durometer "A" 10 SEC. 67/62
 Specific Gravity: 1.34
 Ult. Elongation %: 475
 Brittle Temp: -44 C
 Tensile Strength PSI: 1547 PSI

U.L. Rating: 94 V2
 MEETS: FMVSS.302



		VTE Incorporated 5437 Robinson Road, P.O. Box 790 Pellston, Michigan 49769 Telephone: 1-800-527-9256, 231-539-8000 FAX: 231-539-0914	
		REF:	DATE: 30SEP03
TITLE: EYELET TERMINAL BOOT		CHK'D BY: BRH	
MATERIAL: AS NOTED		PART NO. 801N9V02	
COLOR: RED	DRG CLASS		