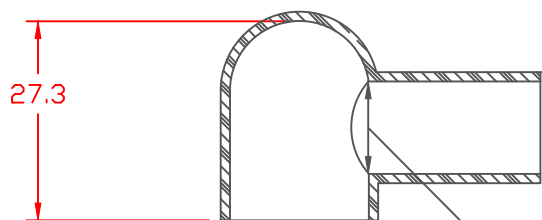
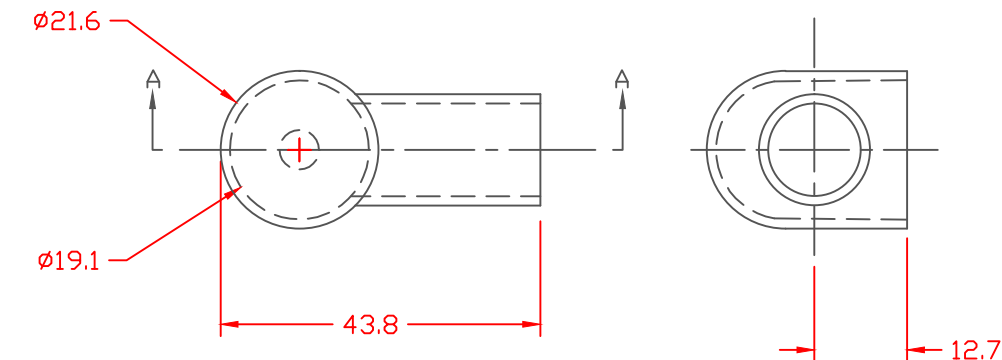


PROPRIETARY RIGHTS ARE CLAIMED FOR THE MATERIAL DISCLOSED IN THIS DRAWING.

LTR.	REVISIONS	DATE
A	ADDED MAXIMUM WALL THICKNESS DIMENSION	20APR06
B	ADDED TOLERANCE NOTE FOR DIA.	20APR06

THIS PRODUCT MEETS THE REQUIRMENTS OF M&G ELECTRONICS PART NUMBER 310105008



(A)  
 $1.27^{+0.00}_{-0.25}$  [  $0.05^{+0.000}_{-0.010}$  ]

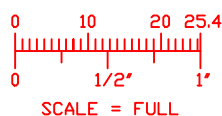
SECTION A-A


(B)  
 $12.70^{+0.25}_{-0.00}$  [  $0.5^{+0.01}_{-0.00}$  ]

TOLERANCE UNLESS OTHERWISE SPECIFIED:  $\pm 0.30^*/\pm 0.8\text{mm}$   
 RADIAL DIAMETERS TO BE MEASURED OVER MANDRELS,  
 RING GAGES OR PIN GAGES OF SUITABLE SIZE

Material: BLACK PVC  
 Material Part No 9812-65  
 Max. Operating Temp: 105 C  
 Shore Durometer "A" 10 SEC. 67/63  
 Specific Gravity: 1.33  
 Ult. Elongation %: 520  
 Brittle Temp: -36 C  
 Tensile Strength PSI: 1563 PSI

U.L. Rating: 94 V2  
 MEETS: FMVSS.302



		<b>VTE Incorporated</b> 5437 Robinson Road, P.O. Box 790 Pellston, Michigan 49769 Telephone: 1-800-527-9256, 231-539-8000 FAX: 231-539-0914	
		REF:	DATE: 30SEP03
TITLE: EYELET TERMINAL BOOT		CHK'D BY: BRH	
MATERIAL: AS NOTED		PART NO. 801N9V14	
COLOR: BLACK	DRG CLASS		