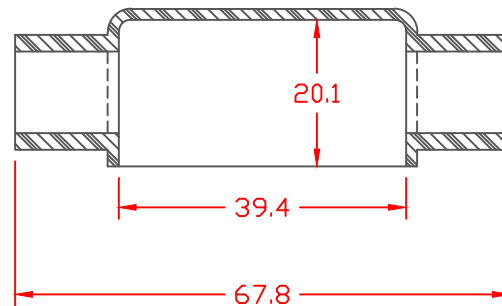
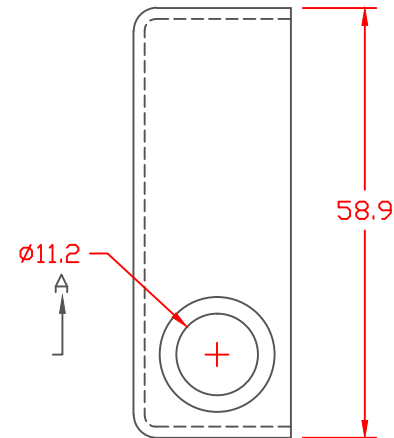
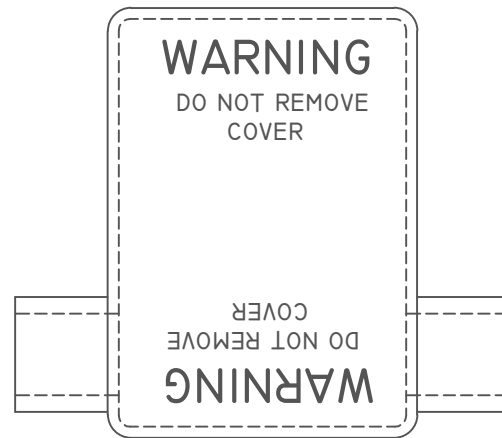
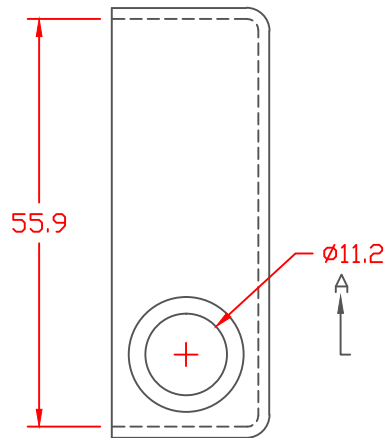


PROPRIETARY RIGHTS ARE CLAIMED FOR THE MATERIAL DISCLOSED IN THIS DRAWING.

TYP. WALL THICKNESS = 1.5

LTR.	REVISIONS	DATE
≠	*****	00-00-98

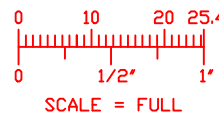



SECTION A-A

TOLERANCE UNLESS OTHERWISE SPECIFIED: ±.030"/±0.8mm  
 RADIAL DIAMETERS TO BE MEASURED OVER MANDRELS,  
 RING GAGES OR PIN GAGES OF SUITABLE SIZE

VTE Material Part No:  
 Material:  
 Material Part No  
 Max. Operating Temp:  
 Shore Durometer  
 Specific Gravity:  
 Ult. Elongation %:  
 Brittle Temp:  
 Tensile Strength PSI:  
 Dielectric Strength, v./ml  
 U.L. Rating:  
 MEETS:

1101650109  
 BLUE PVC  
 05-916R  
 105 C  
 "A" 65  
 1.27  
 325  
 \*\*\*\*  
 1500 PSI  
 \*\*\*\*  
 \*\*\*\*  
 \*\*\*\*



		<b>VTE Incorporated</b> 5437 Robinson Road, P.O. Box 790 Pellston, Michigan 49769 Telephone: 1-800-527-9256, 231-539-8000 FAX: 231-539-0914	
		REF:	DATE: 4-14-98
TITLE: BATTERY CABLE BOOT			
MATERIAL:		PART NO. DUAL ENTRY	
COLOR:		843D8V09	
DRG CLASS			