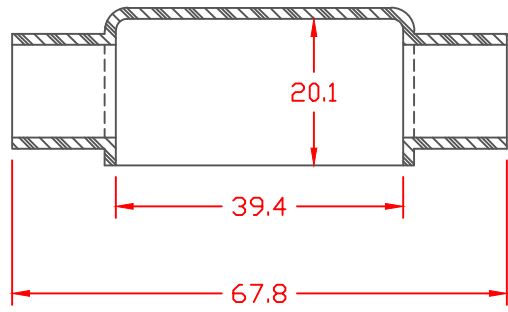


PROPRIETARY RIGHTS ARE CLAIMED FOR THE MATERIAL DISCLOSED IN THIS DRAWING.

TYP. WALL THICKNESS = 1.5

| | | |
|------|-----------|----------|
| LTR. | REVISIONS | DATE |
| ≠ | ***** | 00-00-98 |

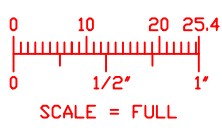


SECTION A-A

TOLERANCE UNLESS OTHERWISE SPECIFIED: ±.030"/±0.8mm
 RADIAL DIAMETERS TO BE MEASURED OVER MANDRELS,
 RING GAGES OR PIN GAGES OF SUITABLE SIZE

VTE Material Part No:
 Material:
 Material Part No:
 Max. Operating Temp:
 Shore Durometer:
 Specific Gravity:
 Ult. Elongation %:
 Tensile Strength PSI:
 U.L. Rating:

1101700102
 RED PVC
 M1170 FR RD or Equivalent
 105 C
 "A" 15 SEC. 70+/-5
 1.34
 275 Minimum
 1600 PSI Minimum
 94 V0



VTE Incorporated
 5437 Robinson Road, P.O. Box 790
 Pellston, Michigan 49769
 Telephone: 1-800-527-9256, 231-539-8000
 FAX: 231-539-0914

| | | | |
|---------------------------|------------------|-------------------------|-----------------------|
| REF: | DATE: 4-14-98 | DRN BY: JC CHK'D BY: | WEIGHT: 17.8 grams |
| TITLE: BATTERY CABLE BOOT | | | |
| MATERIAL: | | PART NO. DUAL ENTRY | |
| COLOR: | | 843D9F02 | |
| DRG CLASS | | | |