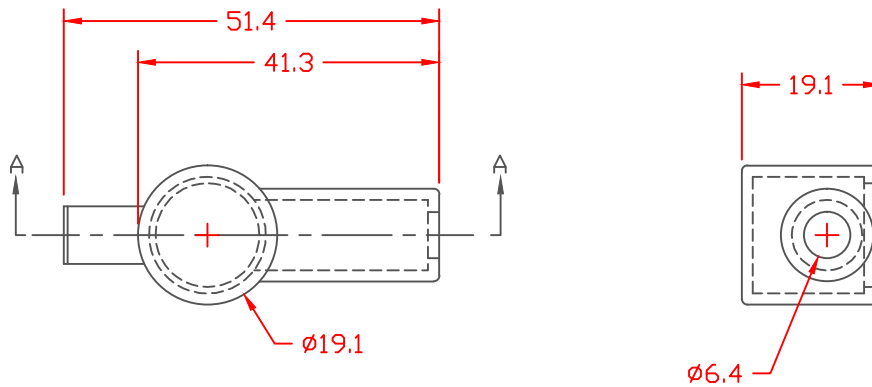


PROPRIETARY RIGHTS ARE CLAIMED FOR THE MATERIAL DISCLOSED IN THIS DRAWING.

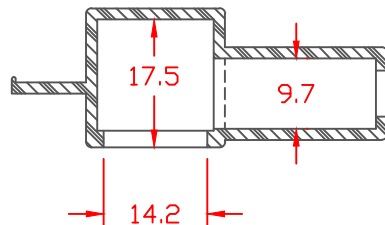
TYP. WALL THICKNESS = 1.5 (UNLESS NOTED)

TYP. RADIUS = .8

LTR.	REVISIONS	DATE
≡	*****	00-00-98



THIS PRODUCT IS NOT RECOMMENDED FOR SALE OR RESALE.
SEE ALTERNATE PART NUMBER 216N2




SECTION A-A

TOLERANCE UNLESS OTHERWISE SPECIFIED: ±0.30"/±0.8mm
RADIAL DIAMETERS TO BE MEASURED OVER MANDRELS,
RING GAGES OR PIN GAGES OF SUITABLE SIZE

VTE Material Part No:	1101650114
Material:	BLACK PVC
Material Part No:	9812-65
Max. Operating Temp:	105 C
Shore Durometer:	"A" 10 SEC. 67/63
Specific Gravity:	1.33
Ult. Elongation %:	520
Brittle Temp:	-36 C
Tensile Strength PSI:	1563 PSI
U.L. Rating:	94 V2
MEETS:	FMVSS.302



		VTE Incorporated 5437 Robinson Road, P.O. Box 790 Pellston, Michigan 49769 Telephone: 1-800-527-9256, 231-539-8000 FAX: 231-539-0914	
		REF:	DATE:
	4-14-98	CHK'D BY:	4 grams
TITLE: TERMINAL INSULATOR BOOT			
MATERIAL:		PART NO.	
		850N6V14	
COLOR:	DRG CLASS		