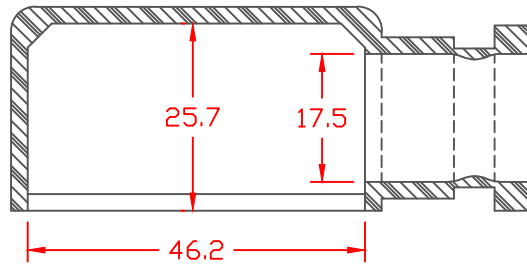
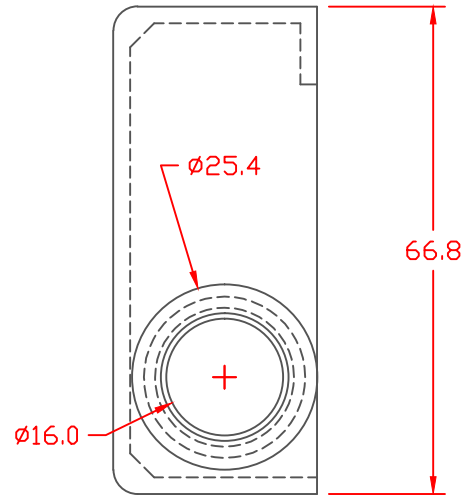
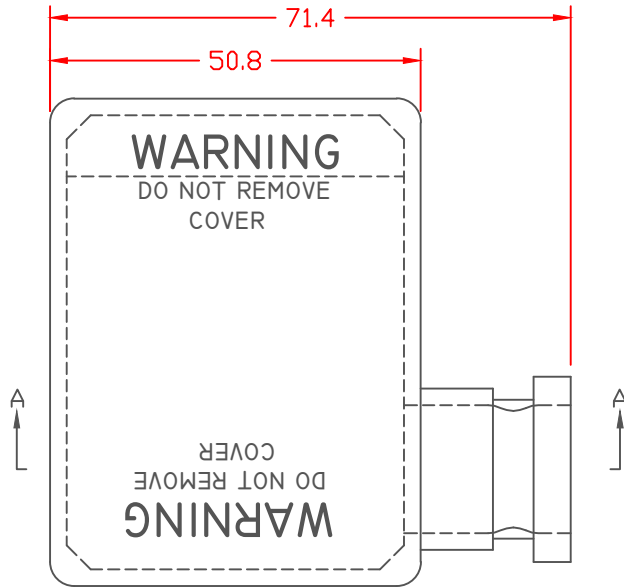


PROPRIETARY RIGHTS ARE CLAIMED FOR THE MATERIAL DISCLOSED IN THIS DRAWING.

LTR.	REVISIONS	DATE
≡	*****	00-00-98



SECTION A-A

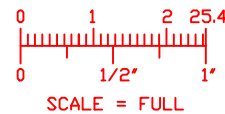
TOLERANCE UNLESS OTHERWISE SPECIFIED:  $\pm 0.30^*/\pm 0.8\text{mm}$   
 RADIAL DIAMETERS TO BE MEASURED OVER MANDRELS,  
 RING GAGES OR PIN GAGES OF SUITABLE SIZE


TYP. WALL THICKNESS = 2.3

TYP. CHAMFER = 3.3

TYP. RADIUS = 3.3

VTE Material Part No:	1101650109
Material:	BLUE PVC
Material Part No	05-916R
Max. Operating Temp:	105 C
Shore Durometer	"A" 65
Specific Gravity:	1.27
Ult. Elongation %:	325
Brittle Temp:	****
Tensile Strength PSI:	1500 PSI
Dielectric Strength, v./ml	****
U.L. Rating:	****
MEETS:	****



		<b>VTE Incorporated</b> 5437 Robinson Road, P.O. Box 790 Pellston, Michigan 49769 Telephone: 1-800-527-9256, 231-539-8000 FAX: 231-539-0914	
		REF:	DATE: 4-14-98
TITLE: BATTERY TERMINAL BOOT WITH GROOVE			
MATERIAL:		PART NO. RIGHT HAND	
COLOR:		900R9V09	
DRG CLASS			